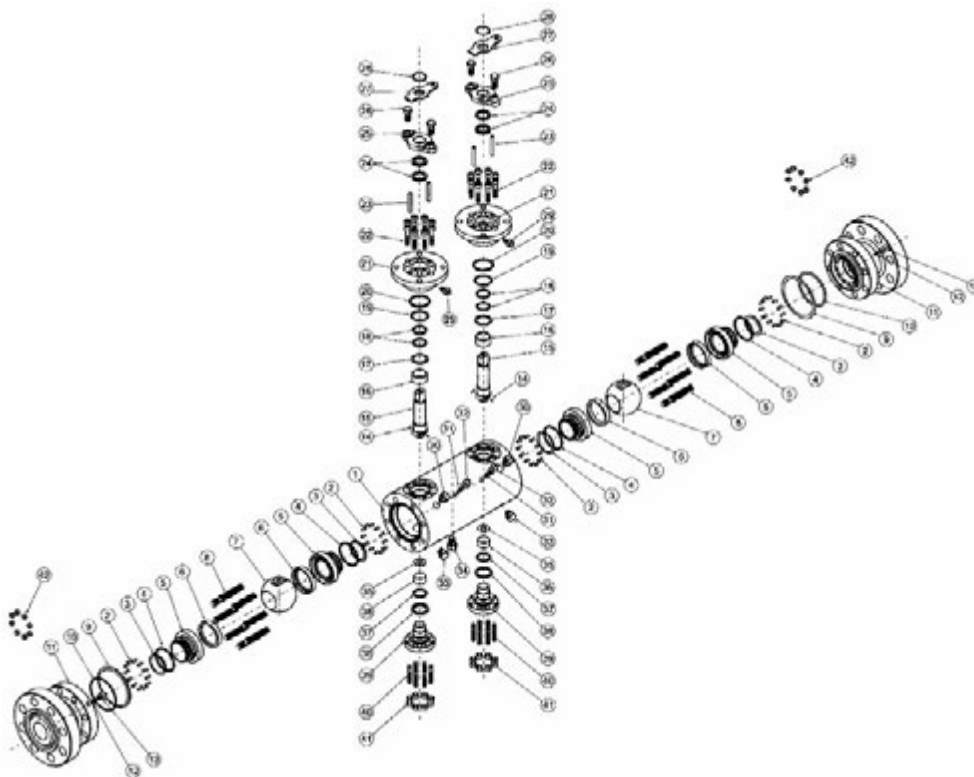


# LPA11- Double Block and Bleed Valve



Code	Actuator	Action	Air Fail Position	Control	Structure	Body Material	Sealing Material	Ball Material	Connection	DN	PN
LPA11-	<ul style="list-style-type: none"> <li>1 Pneumatic</li> <li>2 Pneumatic &amp; Handwheel</li> <li>3 Electric DC24V</li> <li>4 Electric AC220V</li> <li>5 Electric AC380V</li> <li>7 Handle</li> <li>8 Turbine</li> <li>0 Others</li> </ul>	<ul style="list-style-type: none"> <li>D Double-acting</li> <li>S Single-acting</li> <li>0 Others</li> </ul>	<ul style="list-style-type: none"> <li>1 Normally Open</li> <li>2 Normally Closed</li> <li>3 Flexible</li> <li>4 Held</li> <li>0 Others</li> </ul>	<ul style="list-style-type: none"> <li>A On-off</li> <li>B Control</li> <li>C Intelligent</li> <li>0 Others</li> </ul>	<ul style="list-style-type: none"> <li>5 One-piece</li> <li>6 Two-pieces</li> <li>7 Three-piece</li> <li>0 Others</li> </ul>	<ul style="list-style-type: none"> <li>A CF3M</li> <li>B CF8M</li> <li>C CF8</li> <li>D WCB</li> <li>I CF3</li> <li>L CE3MN</li> <li>2 Ti</li> <li>5 WCC</li> <li>0 Others</li> </ul>	<ul style="list-style-type: none"> <li>P PTFE</li> <li>Q TFM1600</li> <li>T EK</li> <li>W PEEK</li> <li>2 PE</li> <li>5 TFM4215</li> <li>0 Others</li> </ul>	<ul style="list-style-type: none"> <li>A CF3M</li> <li>B CF8M</li> <li>C CF8</li> <li>I CF3</li> <li>L CE3MN</li> <li>2 Ti</li> <li>3 Gr</li> <li>0 Others</li> </ul>	<ul style="list-style-type: none"> <li>1 Flange</li> <li>0 Others</li> </ul>		

## DOUBLE BLOCK AND BLEED VALVE



1	Body
2	Spring
3	Anti-fire packing
4	O Ring
5	Seat ring
6	Ball
7	Seat
8	Stud
9	Anti-fire gasket
10	O Ring
11	Bonnet
12	Check valve
13	Sealant injection
14	valve Anti-static
15	device Stem
16	Sliding bearing
17	Thrust bearing
18	O Ring
19	O Ring
20	Anti-fire gasket
21	Seal gland
22	Socket head cap
23	screw Pin
24	Packing
25	Packing gland
26	Hexagon bolt
27	Stopper
28	Retainer ring
29	Sealant injection
30	valve Air release
31	valve Check valve
32	Sealant injection
33	valve Drainage valve
34	Drainage valve
35	Thrust bearing
36	Sliding bearing
37	O Ring
38	Anti-fire gasket
39	Lower cover
40	Stud
41	Hexagon nut
42	Hexagon nut



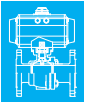
# LPA11- Double Block and Bleed Valve



## DOUBLE BLOCK AND BLEED VALVE

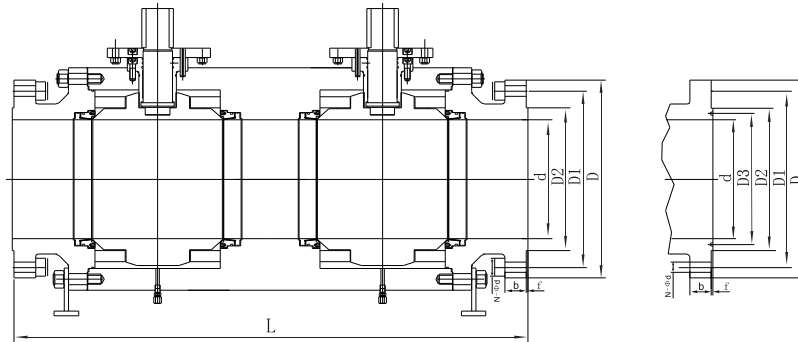
### Part Materials And Main Parameters

Nominal diameter(in)		NPS 2~16				
Nominal pressure(Class)		Class150~Class2500				
No	Part Name	Material				
		Carbon Steel	Stainless Steel			
1	Body	ASTM A105	ASTM A182 304	ASTM A182 316	ASTM A182 304L	ASTM A182 316L
2	Spring	17-7PH	17-7PH	17-7PH	17-7PH	17-7PH
3	Anti-fire packing	Graphite	Graphite	Graphite	Graphite	Graphite
4	O Ring	VITON	VITON	VITON	VITON	VITON
5	Seat ring	ASTM A105 • ENP	ASTM A182 304	ASTM A182 316	ASTM A182 304L	ASTM A182 316L
6	Ball	PTFE/NYLON/PEEK/PPL	PTFE/NYLON/PEEK/PPL	PTFE/NYLON/PEEK/PPL	PTFE/NYLON/PEEK/PPL	PTFE/NYLON/PEEK/PPL
7	Seat	ASTM A105 • ENP	ASTM A182 304	ASTM A182 316	ASTM A182 304L	ASTM A182 316L
8	Stud	A193 B7M	A320 B8	A320 B8M	A320 B8	A320 B8M
9	Anti-fire gasket	SST+Graphite	SST+Graphite	SST+Graphite	SST+Graphite	SST+Graphite
10	O Ring	VITON	VITON	VITON	VITON	VITON
11	Bonnet	ASTM A105	ASTM A182 304	ASTM A182 316	ASTM A182 304L	ASTM A182 316L
12	Check valve	Combined parts	Combined parts	Combined parts	Combined parts	Combined parts
13	Sealant injection valve	Combined parts	Combined parts	Combined parts	Combined parts	Combined parts
14	Anti-static device	Combined parts	Combined parts	Combined parts	Combined parts	Combined parts
15	Stem	ASTM A182 F6a	ASTM A182 304	ASTM A182 316	ASTM A182 304L	ASTM A182 316L
16	Sliding bearing	Metal+PTFE	Metal+PTFE	Metal+PTFE	Metal+PTFE	Metal+PTFE
17	Thrust bearing	PTFE	PTFE	PTFE	PTFE	PTFE
18	O Ring	VITON	VITON	VITON	VITON	VITON
19	O Ring	VITON	VITON	VITON	VITON	VITON
20	Anti-fire gasket	SST+Graphite	SST+Graphite	SST+Graphite	SST+Graphite	SST+Graphite
21	Seal gland	ASTM A105 • ENP	ASTM A182 304	ASTM A182 316	ASTM A182 304L	ASTM A182 316L
22	Socket head cap screw	A193 B7M	A320 B8	A320 B8M	A320 B8	A320 B8M
23	Pin	ANSI 1035	ANSI 1035	ANSI 1035	ANSI 1035	ANSI 1035
24	Packing	Graphite	Graphite	Graphite	Graphite	Graphite
25	Packing gland	ASTM A216 WCB	ASTM A216 WCB	ASTM A216 WCB	ASTM A216 WCB	ASTM A216 WCB
26	Hexagon bolt	A193 B7M	A320 B8	A320 B8	A320 B8	A320 B8M
27	Stopper	A3 • HZn	A3 • HZn	A3 • HZn	A3 • HZn	A3 • HZn
28	Retainer ring	65Mn	65Mn	65Mn	65Mn	65Mn
29	Sealant injection valve	Combined parts	Combined parts	Combined parts	Combined parts	Combined parts
30	Air release valve	Combined parts	Combined parts	Combined parts	Combined parts	Combined parts
31	Check valve	Combined parts	Combined parts	Combined parts	Combined parts	Combined parts
32	Sealant injection valve	Combined parts	Combined parts	Combined parts	Combined parts	Combined parts
33	Drainage valve	Combined parts	Combined parts	Combined parts	Combined parts	Combined parts
34	Drainage valve	Combined parts	Combined parts	Combined parts	Combined parts	Combined parts
35	Thrust bearing	PTFE	PTFE	PTFE	PTFE	PTFE
36	Sliding bearing	Metal+PTFE	Metal+PTFE	Metal+PTFE	Metal+PTFE	Metal+PTFE
37	O Ring	VITON	VITON	VITON	VITON	VITON
38	Anti-fire gasket	SST+Graphite	SST+Graphite	SST+Graphite	SST+Graphite	SST+Graphite
39	Lower cover	ASTM A105 • ENP	ASTM A182 304	ASTM A182 316	ASTM A182 304L	ASTM A182 316L
40	Stud	A193 B7M	A320 B8	A320 B8M	A320 B8	A320 B8M
41	Hexagon nut	A194 2HM	A194-8	A194-8 M	A194-8	A194-8 M
42	Hexagon nut	A194 2HM	A194-8	A194-8 M	A194-8	A194-8 M
Applicable service conditions	Applicable media	Water, steam, oil, gas, liquefied gas, natural gas, etc.	Nitric Acid	Nitric Acid	Strong Oxidizer	Urea
	Applicable temperature	≤120℃ (PTFE)、≤80℃ (NYLON)、≤250℃ (PEEK)、≤250℃ (PPL)				
Design and manufacturing		API 608、API 6D				
Face-to-face dimensions		ASME B16.10、API 6D				
Type of connection		Flange	ASME B16.5/ASME B16.47		Butt welding	ASME B16.25
Pressure test		API 598、API 6D				
Transmission mode		Manual, worm and worm gear transmission, pneumatic, electric				



# LPA11-

## Double Block and Bleed Valve



Pressure rating	Nominal Diameter		d	Flanged		Butt welding	Raised face flange						H	H1	Weight (Kg)		
	Class	NPS		DN	L(RF)		L(RTJ)	L(BW)	D	D1	D2	D3				f	b
150		2"	50	50	356	369	394	150	120.5	92	-	2	14.5	4- φ 19	93	88	△
		3"	80	75	457	470	537	190	152.5	127	-	2	17.5	4- φ 19	118.5	117	△
		4"	100	100	502	514	578	230	190.5	157	-	2	22.5	8- φ 19	143.5	137	△
		6"	150	150	787	799	850	280	241.5	216	-	2	24	8- φ 22	208	178.5	△
		8"	200	201	902	915	966	345	298.5	270	-	2	27	8- φ 22	248	235	△
		10"	250	252	991	1004	1017	405	362	324	-	2	29	12- φ 25	294	288	△
		12"	300	303	1130	1142	1155	485	432	381	-	2	30.5	12- φ 25	344.5	330	△
		14"	350	334	1245	1258	1321	535	476	413	-	2	33.5	12- φ 29	377	360	△
		16"	400	385	1372	1385	1448	595	540	470	-	2	35	16- φ 29	418	400	△
300		2"	50	50	394	410	394	165	127	92	-	2	14.5	4- φ 19	93	88	△
		3"	80	75	495	510	495	210	168.5	127	-	2	17.5	4- φ 19	118.5	117	△
		4"	100	100	568	584	568	255	200	157	-	2	22.5	8- φ 19	143.5	137	△
		6"	150	150	826	842	826	320	270	216	-	2	24	8- φ 22	208	178.5	△
		8"	200	201	991	1007	991	380	330	270	-	2	27	8- φ 22	248	235	△
		10"	250	252	1054	1070	1054	445	387.5	324	-	2	29	12- φ 25	294	288	△
		12"	300	303	1194	1210	1194	520	451	381	-	2	30.5	12- φ 25	345	330	△
		14"	350	334	1346	1362	1346	585	514.5	413	-	2	33.5	12- φ 29	377	360	△
		16"	400	385	1473	1489	1473	650	571.5	470	-	2	35	16- φ 29	418	400	△
600		2"	50	50	470	473	470	165	127	92	-	7	26	8- φ 19	107	91.5	△
		3"	80	75	610	613	610	210	168.5	127	-	7	32	8- φ 22	140	119	△
		4"	100	100	762	765	762	275	216	157	-	7	38.5	8- φ 25	164	150	△
		6"	150	150	978	981	978	355	292	216	-	7	48	12- φ 29	224	208	△
		8"	200	201	1143	1147	1143	420	349	270	-	7	56	12- φ 32	272	248	△
		10"	250	252	1372	1376	1372	510	432	324	-	7	64	16- φ 35	318	303	△
		12"	300	303	1448	1451	1448	560	489	381	-	7	67	20- φ 35	355	341	△
		14"	350	334	1549	1552	1549	605	527	413	-	7	70	20- φ 39	390	370	△
		16"	400	385	1778	1781	1778	685	603	470	-	7	77	20- φ 41	400	415	△

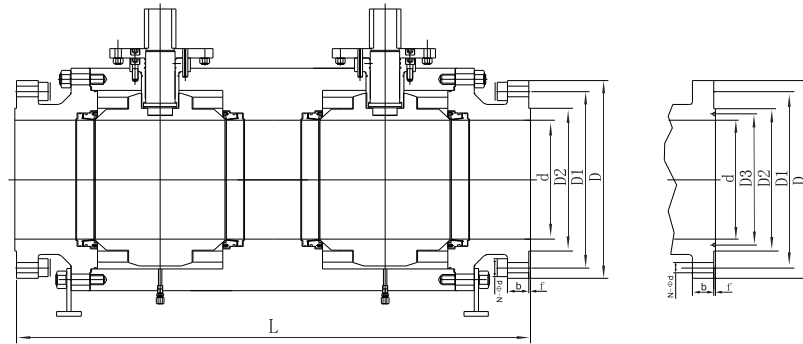
△ Please consult the factory:

Note: The weight valve is only for flanged valve. Please consult our factory for higher nominal diameter or weight. Any modification to size H,H1 and weight will not be notified otherwise.





# LPA11- Double Block and Bleed Valve



Pressure rating	Nominal Diameter		d	Flanged		Butt welding	Raised face flange						H	H1	Weight	
	Class	NPS		DN	L(RF)		L(RTJ)	L(BW)	D	D1	D2	D3				f
900	2"	50	50	610	613	610	215	165	124	95.25	7.92	38.5	8- φ 25	126.5	105	△
	3"	80	75	660	663	660	240	190.5	156	123.83	7.92	38.5	8- φ 25	150	130	△
	4"	100	100	826	829	826	290	235	181	149.23	7.92	45	8- φ 32	172.5	158	△
	6"	150	150	1054	1057	1054	380	317.5	241	211.12	7.92	56	12- φ 32	230	210	△
	8"	200	201	1295	1298	1295	470	393.5	308	269.88	7.92	64	12- φ 39	290	255	△
	10"	250	252	1473	1476	1473	545	470	362	323.85	7.92	70	16- φ 39	330	316	△
	12"	300	303	1651	1654	1651	610	533.5	419	381	7.92	79.5	20- φ 39	366	351	△
	14"	350	322	1880	1889	1880	640	559	467	419.1	11.13	86	20- φ 42	415	376	△
	16"	400	373	1930	1940	1930	705	616	524	469.9	11.13	89	20- φ 45	452	421	△
1500	2"	50	50	610	613	610	215	165	124	95.25	7.92	38.5	8- φ 25	126.5	105	△
	3"	80	75	826	829	826	265	203.2	168	136.53	7.92	48	8- φ 32	166	149	△
	4"	100	100	965	968	965	310	241.3	194	161.93	7.92	54	8- φ 35	219	178	△
	6"	150	144	1232	1238	1232	395	317.5	248	211.14	9.53	83	12- φ 39	268	234	△
	8"	200	192	1448	1457	1448	485	393.7	318	269.88	11.13	92	12- φ 45	303	270	△
	10"	250	239	1778	1787	1778	585	482.6	371	323.85	11.13	108	12- φ 51	358	336	△
	12"	300	287	2083	2099	2083	675	571.5	438	381	14.27	124	16- φ 54	414	395	△
	14"	350	315	2286	2305	2286	750	635	489	419.1	15.88	134	16- φ 60	471	441	△
	16"	400	360	2422	2445	2422	825	704.8	546	469.9	17.48	146.5	16- φ 67	498	456	△
2500	2"	50	42	762	765	762	235	171.4	133	101.6	7.92	51	8- φ 29	149	123	△
	3"	80	62	1029	1153	1029	305	228.6	168	127	9.53	67	8- φ 35	215	171	△
	4"	100	87	1143	1562	1143	355	273	203	157.18	11.13	76.5	8- φ 42	245	206	△
	6"	150	131	1549	1559	1549	485	368.3	279	228.6	12.7	108	8- φ 54	306	265	△
	8"	200	179	1880	1896	1880	550	438.2	340	279.4	14.27	127	12- φ 54	361	336	△

△ Please consult the factory:  
 Note: The weight valve is only for flanged valve. Please consult our factory for higher nominal diameter or weight. Any modification to size H,H1 and weight will not be notified otherwise.