



# LS10- Position monitoring switch



## Brief introduction

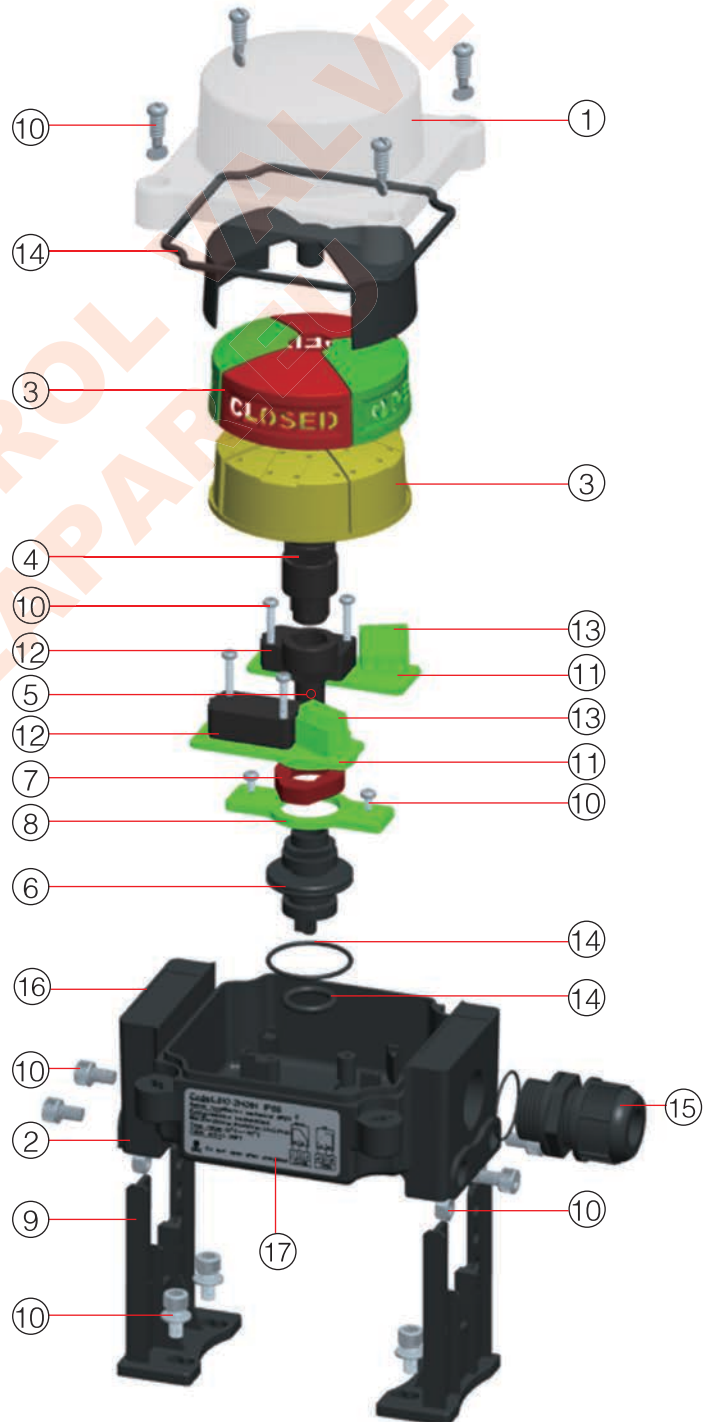
The LS series limit switch box provides a compact design and the most economical solution for both visual and remote electrical indication of rotary valve/actuator position. Integral NAMUR mounting legs provide additional cost saving by eliminating the need for a separate mounting bracket. The switch options available make the SP series suitable for use in IP65 weather proof applications and also intrinsically safe applications.

## Parameter

Temperature range: standard -20°C + 80°C  
 Temp. range may vary due to switch range.  
 Electrical: according to switch option  
 Consult "B02003-E-SWITCH\_DATA" bulletin for switch.  
 Level of protection: conform to IP65, NAMUR4 and 4X weather resistance standard.

## Material

No.	Part	Material
1	Cover	PC
2	Body	PPO
3	Instruction	ABS
4	Upper shaft	PA
5	Intermediate shaft	PA
6	Lower shaft	PA
7	Cam	PC
8	Platen	PC
9/1	Connecting frame	PA
9/2	Connecting frame	SUS304
10	Fasteners	SUS304
11	PCB	RCC
12	Position monitoring switch	E-switch
13	Terminal block	DINKLE
14	O-ring	NBR
15	Cable connector	Nylon
16	Brand	
17	Label	PVC





# LS10- Position monitoring switch



## Design Feature

### EXTERNAL DESIGN

LS limit switch appearance design is exquisite, the external size is small, which is suitable for each size of actuator. The upper cover and the shell's fastening and the disassemblage design have the spring to fix, it is very convenient in installation, as long as to press and revolve 90 degrees with the cross screwdriver.



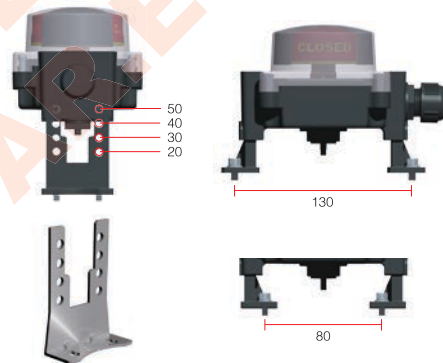
### ON-SITE DISPLAY

In order to see the real-time valve location, LS limit switch has the three dimensional indicator for on-site display position; It may adjust according to the different angle of view direction to adjust the display's angle and to facilitate real-time observation on the top and side for the valve's correct position.



### INTEGRAL MOUNTING BRACKET

LS housing incorporates integral mounting legs and drive shaft that conform to NAMUR VDI/VDE3845 international dimension standards. Using a single adjustable sliding bracket it is possible to fit LS switchboxes onto any VDI/VDE3845 actuator. Both 30x80 and 30x130 top pattern and 20mm, 30mm, 40mm and 50 mm pinion height can be matched with a single bracket. This maximizes interchangeability plus reduces cost by eliminating need for bracket and coupler.



### HIGH THICKNESS CABLE ENTRY

LS switch box is provided with a M20x1.5 (1/2 " npt/f or PG13.5 as option) cable entry. SP cable entry has a 15 mm (1/2 " ) thickness thread. This feature prevent housing damage due to very heavy cables or cable glands. No back nut are required to fit cable glands.



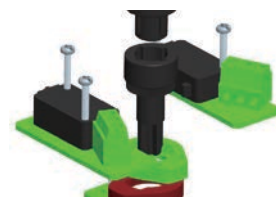
### CAM

The convenient installment cam is the female spline form, every time for adjustment is 3° , which may adjust at will, and has the good shockproof function.



### SWITCH OPTIONS

Mechanical switches are available for general purpose applications. Gold plated mechanical switches or proximity PNP are available for low current applications. Inductive proximity NAMUR switch option provides an effective choice for intrinsically safe applications ATEX certificate (consult SIP bulletin)

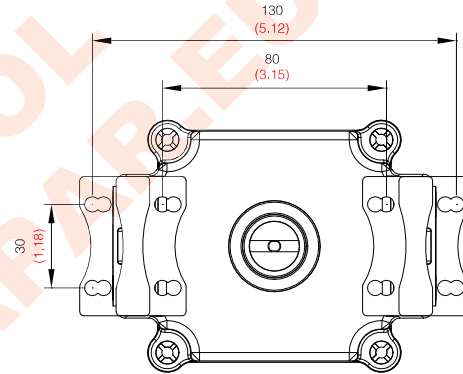
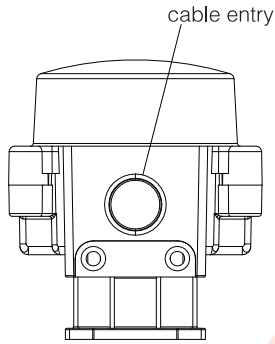
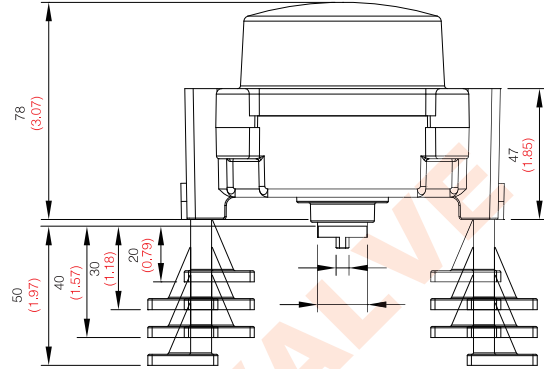
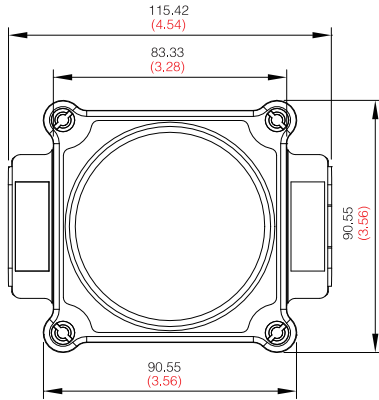




**LS10–**  
**Position monitoring switch**



Dimensions



Wiring Diagram

Code: LS10-2H01H IP65

Switch type: Electro mechanical SPDT

Rating: (resistive load)min.50mA

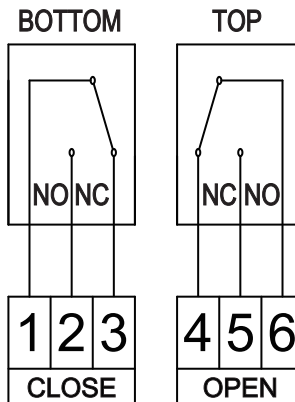
Max.5A@250Vac,5A@110Vac,3A@24Vdc

Temp range: -15°C ~ +80°C

Cable entry: G1/2



Do not open when energised

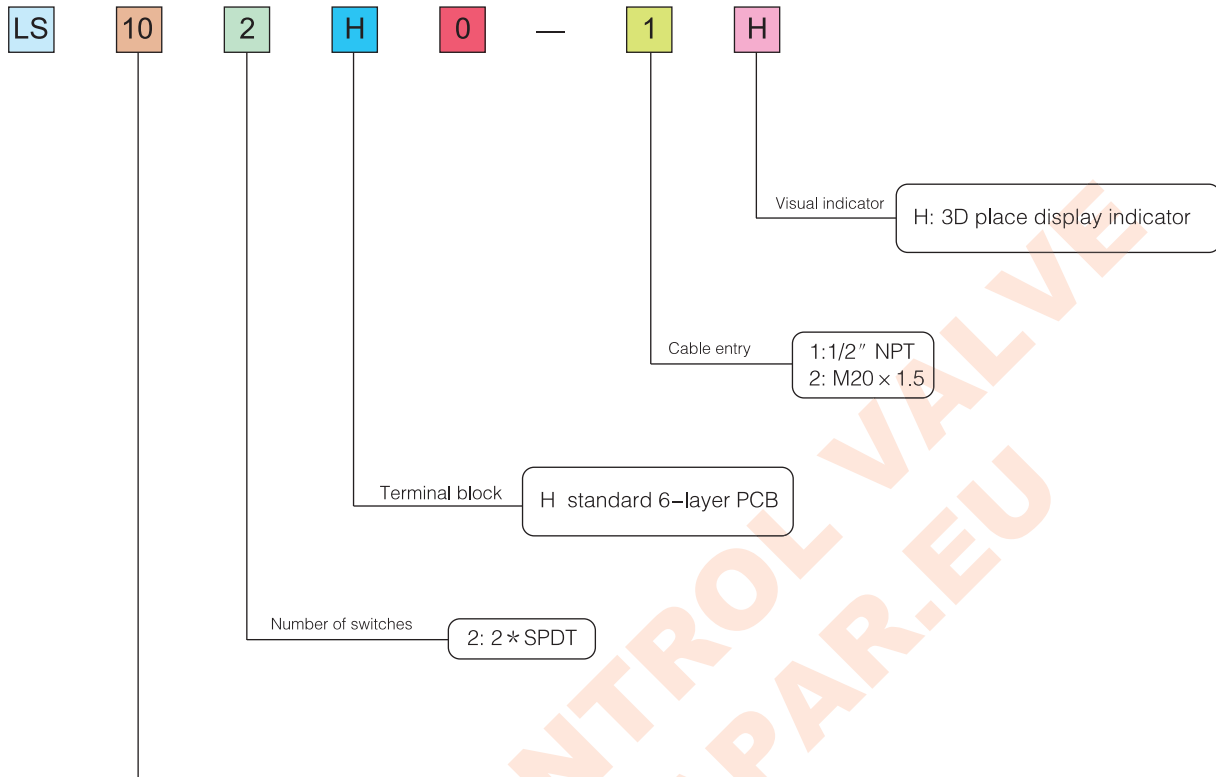




**LS10—**  
**Position monitoring switch**



Effective Identification Of The Standard Options



- 10: Electronic SPDT silver-plated contact body (maximum 5A@250VAC–3A@24VDC minimum 50mA @250VAC–50mA@24VDC)
- 11: Electronic SPDT gold-plated contact body (maximum 3A@250VAC–1A@24VDC, minimum 5mA@250VAC–1mA@24VDC)
- 12: Proximity PNP NO P + F V3 E2 NBB2 (Z3 wire amplifier, 10–30VDC, 100mA)
- 13: NO / NC proximity programmable instruct flowmeter IS5026 (2 wire amplifier, 5–36VDC, 200mA)
- 14: Proximity NO P + F NBB3 V3 Z4 (2 wire amplifier, 5–60VDC, 100mA)

**Precautions:**

Terminal block according to switch type selection.\* NAMUR EEX ia LS series limit switches, safety explosion-proof certificate proximity switches. (Reference LS Important Safety Announcement)