

LH-004 Main features& Characteristics

- ※ Compact and light weight, High corrosion resistance
- ※ Multi-voltage input design : (AC85~265V/1PH & 24V DC)
- ※ Space heater (0.5W), IP Grade (IP67)
- ※ Push button and Manual lever, Anti-off bolt
- ※ Mounting base : ISO5211
- ※ 4 limit switches – 2 for operation, 2 for extra(dry contact)
- ※ LED lamp indicators (Open/Close)

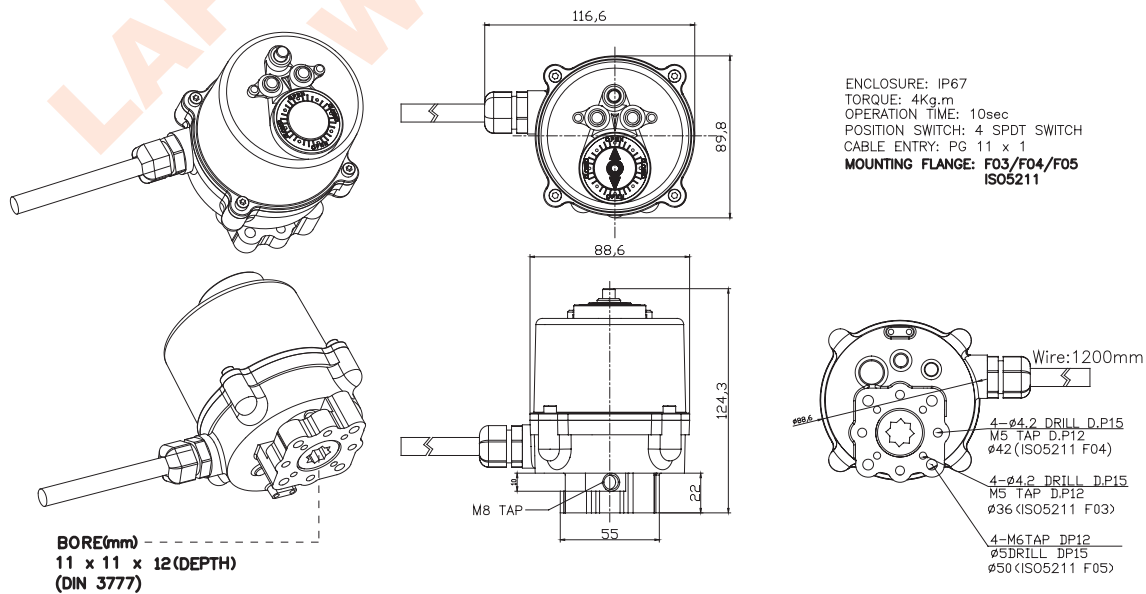
Option

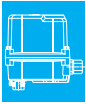
- ※ HAS: High Speed operation (6.5sec)
- ※ PIU: Potentiometer unit (1K~10K)
- ※ PCU: Proportional control unit (input/output : 0~10V, 4~20mA)
- ※ CPT: Current position transmitter (output 40~20mA DC)



Performance

SIZE	Maximum output torque		Operating time 60/50Hz	Mounting size	Electric motor stop	Rated current (A) 60/50Hz			Duty cycle fangehIEC 34-1 S2(%)	Number lener angle	Weight
	Kg.m	N.m				1 Phase					
LH-004	4	40	12	F03/F04/F05	2A	24VDC	AC 110V	AC 220V	70	90 ± 5	1.2
HSA	2	25	6.5			0.46	0.12	0.06			
						0.25	0.065	0.033			





LH-006 Main features & Characteristics

- ※ Quarter-turn actuator with 60Nm output torque
- ※ Multi-voltage input design : (AC110~220V/1PH & 24V DC)
- ※ IP Grade (IP67)
- ※ Limit switches for easy and tight setting
- ※ 4 limit switches – 2 for operation, 2 for extra(dry contact)
- ※ Mounting base : ISO5211
- ※ Manual handwheel for ON/OFF or Modulating



Standard (ON-OFF)



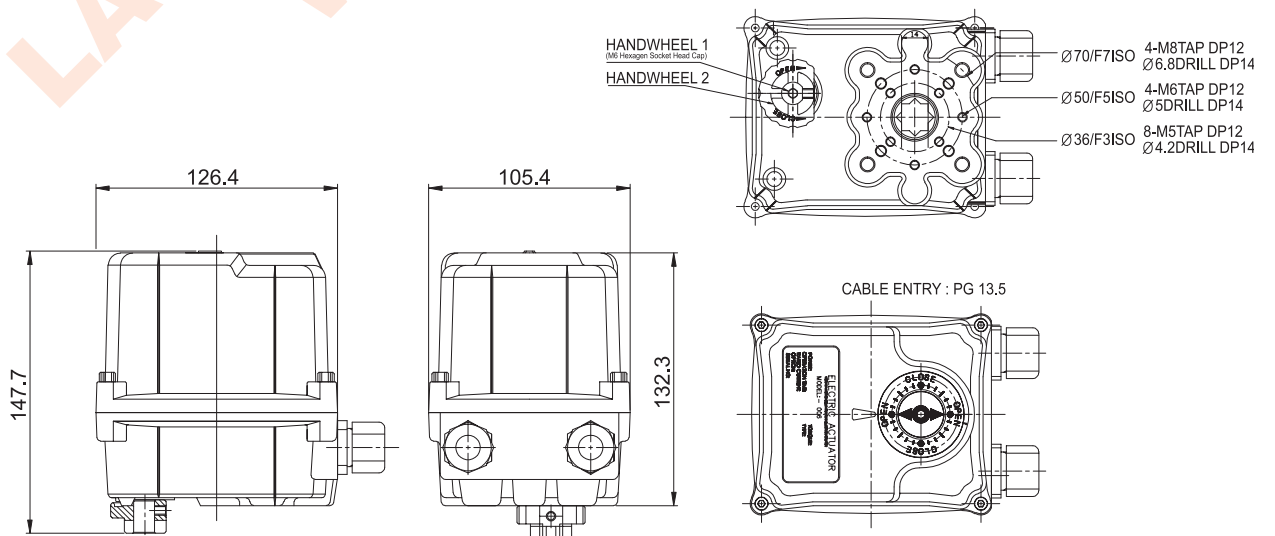
Proportional Control Unit (PCU)



AC-DC 24V Control Unit

Performance

SIZE	Maximum output torque		Operating time 60/50Hz	Mounting size	Motor class (F) 60/50Hz		Rated current (A) 60/50Hz		Duty cycle IEC 34-4	Number of handreturn	Weight
	Kg.m	N.m			1 Phase		1 Phase				
LH-006	6	60	12/14	ISO5211 F03/F05/F07	AC 110V	AC220V	AC 110V	AC 220V	S4(%) 35	N 8	kg 3
					54.5/46.8	40.9/38.0	0.39/0.35	0.18/0.17			





LH-008-LH1100 Main features & Characteristics

※ Enclosure

Weather proof – IP67

Submersible – IP68 (10 meters for 72 hours)

Explosion proof –Ex d IIB T4 (ATEX)

※ 1 Phase – 110/220 Volt / 60–50 Hz, +/- 10%

3 Phase – 220/380/440/460 Volt / 60–50 Hz, +/- 10%
DC24V

※ Limit Switches

Adjustable, SPDT (Rated 250 VAC, 10 Amp)

※ Torque Switches

Open & Close, SPDT, (Rated 250 VAC, 10 amp)

Mechanical Stops : Adjustable +/- 10

※ ISO 5211 Mounting Bases



Performance

SIZE	Maximum output torque kg.m	Operating time 60/50Hz 90°	Mounting bore mm	Rated current (A) 60/50Hz						Duty cycle IEC 34-1 S4(%)	Number of handreturn N	Weight kg
				DC	1 Phase		3 Phase					
				24VDC	110V	220V	380V	440V	460V			
LH-008	8	13/16	φ20	2.6	0.97/0.96	0.48/0.56	0.33/0.43	0.43/0.59	N/A	70	10	7.4
LH-010	10	17/20	φ20	3.2	0.97/0.96	0.48/0.56	0.33/0.43	0.43/0.59	N/A	70	10	7.4
LH-015	15	21/25	φ22	8.8	1.70/1.50	0.84/0.73	0.28/0.37	0.35/0.59	0.19/0.23	70	11	16.6
LH-020	20	21/25	φ22	9.8	1.70/1.50	0.84/0.73	0.28/0.37	0.35/0.59	0.19/0.23	70	11	16.6
LH-030	30	26/31	φ35	10.6	1.67/1.37	0.81/0.68	0.27/0.33	0.30/0.43	0.24/0.27	70	13.5	22
LH-050	50	26/31	φ35	12.8	3.56/4.27	1.27/1.37	0.34/0.45	0.39/0.57	0.33/0.44	70	13.5	23
LH-060	60	26/31	φ35		3.56/4.27	1.27/1.37	0.34/0.45	0.39/0.57	0.33/0.44	70	13.5	23
LH-080	80	31/37	φ45		5.10/3.80	2.30/1.80	0.60/0.83	0.67/1.10	0.58/0.77	70	16.5	29
LH-120	120	31/37	φ45		5.10/3.80	2.30/1.80	0.60/0.83	0.67/1.10	0.58/0.77	70	16.5	29
LH-200	200	31/37	φ65		5.10/3.80	2.30/1.80	0.60/0.83	0.67/1.10	0.58/0.77	50	49.5	75
LH-270	270	47/56	φ65		5.10/3.80	2.30/1.80	0.60/0.83	0.67/1.10	0.58/0.77	50	49.5	75
LH-320	320	93/112	φ65		5.10/3.80	2.30/1.80	0.60/0.83	0.67/1.10	0.58/0.77	40	49.5	75
LH-350	350	33/39	φ75		10.5/14.8	6.30/9.00	3.30/3.60	1.80/2.10		40	42	75
LH-400	400	49/58	φ75		10.5/14.8	6.30/9.00	3.30/3.60	1.80/2.10		40	42	75
LH-600	600	66/78	φ110		10.5/14.8	6.30/9.00	3.30/3.60	1.80/2.10		40	84	215
LH-800	800	98/116	φ110		10.5/14.8	6.30/9.00	3.30/3.60	1.80/2.10		40	84	215
LH-900	900	99/117	φ110		10.5/14.8	6.30/9.00	3.30/3.60	1.80/2.10		40	84	215
LH-1000	1000	99/117	φ110		10.5/14.8	6.30/9.00	3.30/3.60	1.80/2.10		40	126	305
LH-1100	1100	147/174	φ110		10.5/14.8	6.30/9.00	3.30/3.60	1.80/2.10		40	126	305

Optional Specification

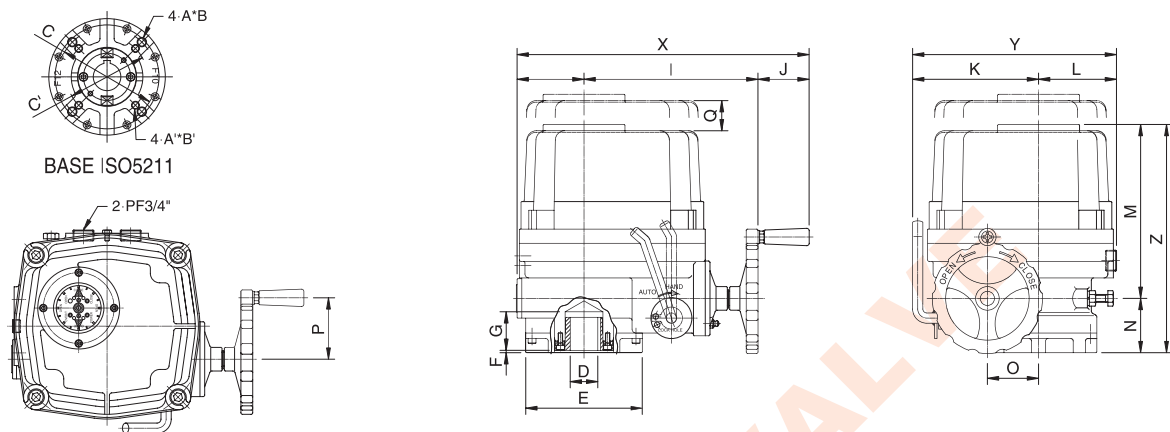
EXA	Explosionproof Actuator (Excd IIB T4)	LH-series
WTA	WaterTight Actuator (IP68 10M 72HR)	LH-series
PIU	Potentiometer Unit 1,000	LH-series
PCU	Proportional Control Unit (input, output 0~10V DC, 4~20mA DC)	LH-series
ATS	Additional Torque Switches (SPDT x 2EA 250V AC 10A Rating)	except LH-008/010
LCU-B	Integral Control (LCU + IMS + phase protect indicator)	except LH-008/010
LCU-C	Digital display Control (LCU + IMS + auto phase discriminator)	except LH-008/010
CPT	Current Position Transmitter (output 4~20mA DC)	LH-series
EXT	Extension 120° , 180° , 270° turn	except LH-200, 300
RBP	Rechargeable Battery backup	LH-008/010, 015, 020, 030
DCM	DC Motor (24V DC)	LH-008/010, 015, 020, 030
ADCM	Multi AC/DC 24V(integral)	LH-008/010, 015, 020, 030
LPA	Lever Plate Actuator	except LH-008/010
MRCT	Microcomputer Repeat Cycle Timer	LH-Series
FPA1	Fire Proofing Actuator 1050 ± 5°C / 50min	Engineering consult in advance
FPA2	Fire Proofing Actuator 25 ± 5°C / 150min	Engineering consult in advance



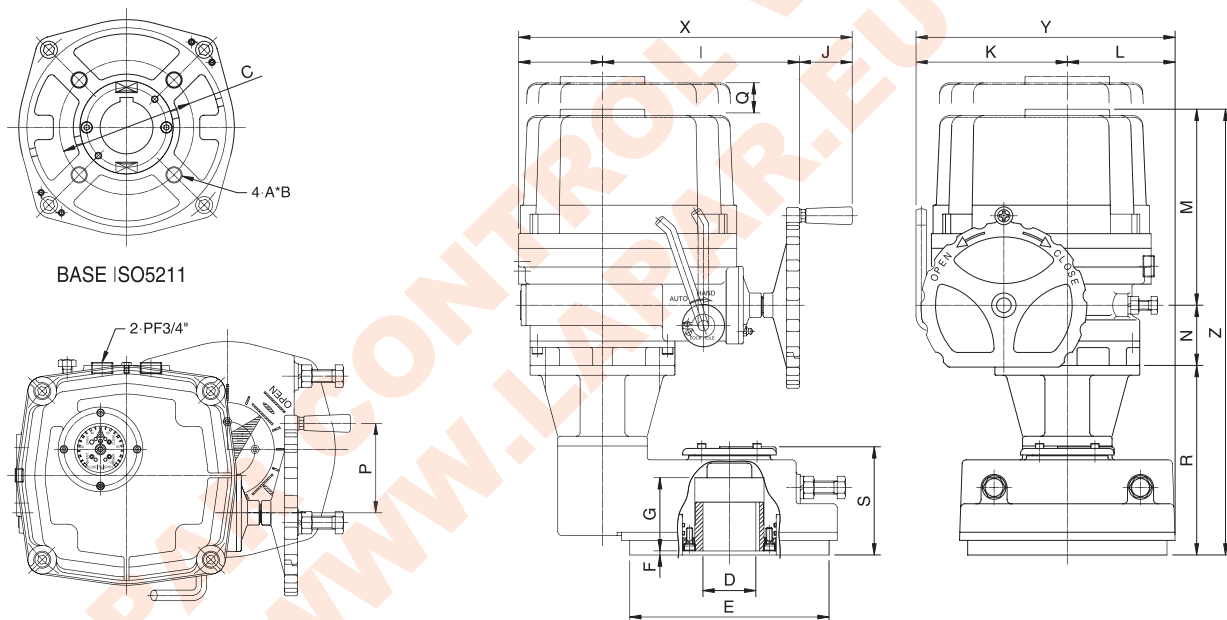
LH- Electric Actuators



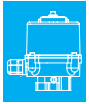
LH008, LH010, LH015, LH020, LH030, LH050, LH060, LH080, LH120



LH200, LH320



SIZE	Base ISO5211	A	D (Max)	E	F	G	H	I	J	K	L	M	N	O	P	Q	R	S	X	Y	Z
	Φ C	B																			
LH008	F07	M8	20	88	3	32	50	157	51	100	70	182	53	40	60	120	/	/	258	170	235
	Φ 70	M12																			
LH010	F07	M8	20	88	3	32	50	157	51	100	70	182	53	40	60	120	/	/	258	170	235
	Φ 70	M12																			
LH015	F07/F10	M8/M10	22	125	3	42	73	200	65	142	87	200	68	54	78	160	/	/	338	229	268
	Φ 70/Φ 102	12/15																			
LH020	F07/F10	M8/M10	22	125	3	42	73	200	65	142	87	200	68	54	78	160	/	/	338	229	268
	Φ 70/Φ 102	12/15																			
LH030	F10/F12	M10/M12	35	148	3	49	82	221	65	160	99	221	69	65	78	180	/	/	368	259	290
	Φ 102/Φ 125	15/18																			
LH050	F10/F12	M10/M12	35	148	3	49	82	221	65	160	99	235	69	65	78	180	/	/	368	259	304
	Φ 102/Φ 125	15/18																			
LH060	F10/F12	M10/M12	35	148	3	49	82	221	65	160	99	235	69	65	78	180	/	/	368	259	304
	Φ 102/Φ 125	15/18																			
LH080	F12/F14	M12/M16	45	178	3	57	103	242	65	186	111	256	74	78	110	210	/	/	410	297	330
	Φ 125*/Φ 140	18/24																			
LH120	F12/F14	M12/M16	45	178	3	57	103	242	65	186	111	256	74	78	110	210	/	/	410	297	330
	Φ 125*/Φ 140	18/24																			
LH200	F14*/F16	M16*/M20	65	245	5	90	103	242	65	186	133	256	74	78	110	210	233	133	410	319	563
	Φ 140*/Φ 165	24*/30																			
LH300	F14*/F16	M16*/M20	65	245	5	90	103	242	65	186	133	256	74	78	110	210	233	133	410	319	563
	Φ 140*/Φ 165	24*/30																			

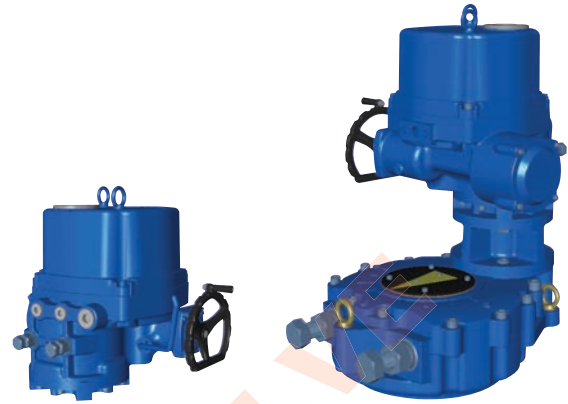


LH- Electric Actuators

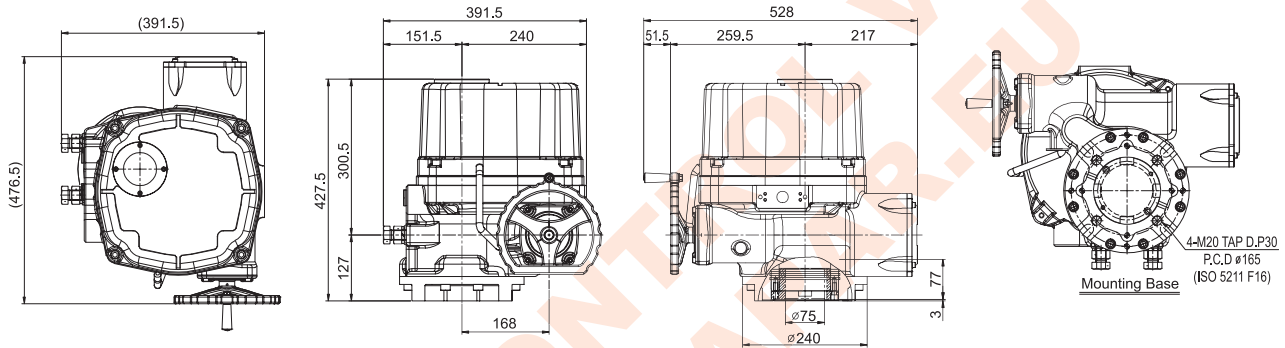


LH-350-LH1100 Main features& Characteristics

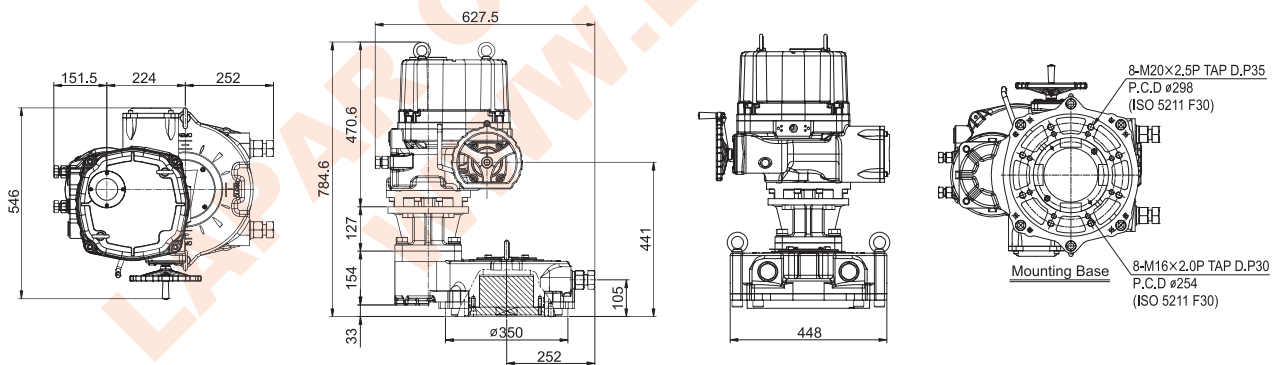
- ※ Robust Auxiliary Spur Gear Drive
- ※ Mechanical Stops : Adjustable $\pm 10\%$
- ※ Weather proof IP67 / Nema4
- ※ Submersible – IP68 (10 meters for 72 hours)
- ※ Explosion proof – Ex d IIB T4 (ATEX)
- ※ Wide range of electric power supply
- ※ Wide application for large size quarter–turn valves, Many options available, etc



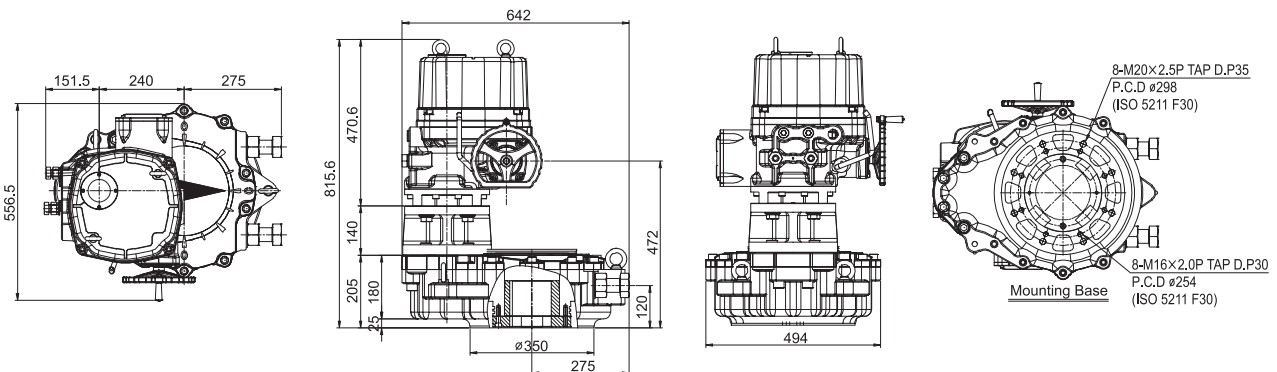
LH350,LH400

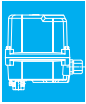


LH600,LH800,LH900



LH1000,LH1100





LH-LCU-B & LCU-C & RBP

LCU-B (integral control unit)

- ※ Light, compact & integrated design
- ※ Integral starter(Mechanical or Electronic), Local/Remote control
- ※ Wide range of electric power application
 - AC110/220V,1PH,50/60Hz, ± 10%
 - AC220/380/440/460/480V,3PH,50/60Hz, ± 10%
- ※ Phase protect monitoring by LED in case of wrong wiring
- ※ Easy application for LH-series actuators
- ※ Various option available(Duty cycle : 70%)
- ※ LED lamp signal
 - LED: lamp signal RED : OPEN/OPENING
 - BLUE : REMOTE GREEN : CLOSE/CLOSING
 - YELLOW : FAULT



LUC-C (digital display control actuator)

- ※ Light, compact & integrated design
- ※ Integral starter(SSR)
- ※ Local/Remote control
- ※ Wide range of electric power application
 - AC110/220V,1PH,50/60Hz, ± 10%
 - AC220/380/440/460/480V,3PH,50/60Hz, ± 10%
- ※ Built-in auto phase discriminator(Easy & convenient wiring)
- ※ Digital indicator with number, bargraph & literature
- ※ Separate terminal chamber
 - (Reliable against water, Vibration, Temp, etc)
- ※ Easy application for LH-series actuators, Various option available



RBP (Rechargeable Battery Backup Actuator)

- ※ Emergency application when power failed at site
- ※ Local/Remote control
- ※ 1 phase power
- ※ NI-MH battery
- ※ Indication of battery level
- ※ Automatic recharge 5 times operation per hour
- ※ LED lamp signal
 - WHITE : POWER DARK GREEN : Battery level
 - BLUE : REMOTE YELLOW : FAULT
 - RED : OPEN/OPENING GREEN : CLOSE/CLOSING

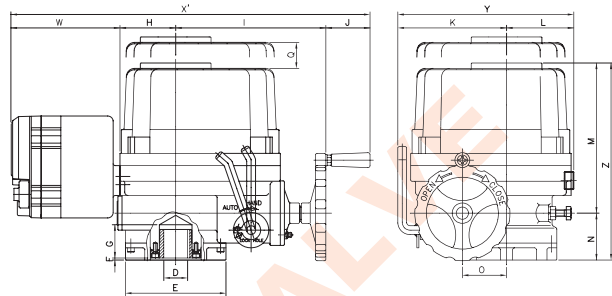
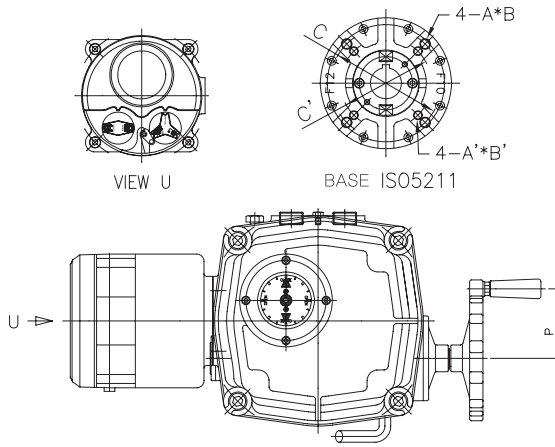




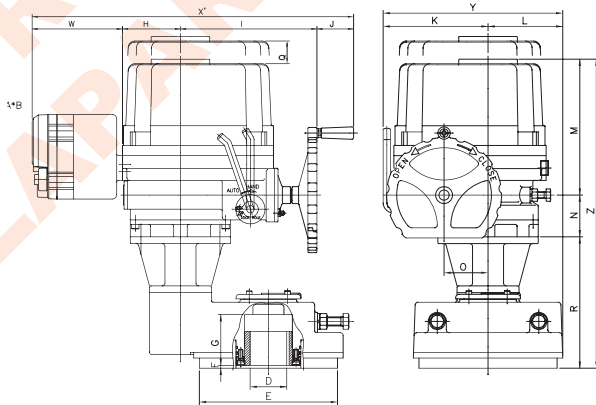
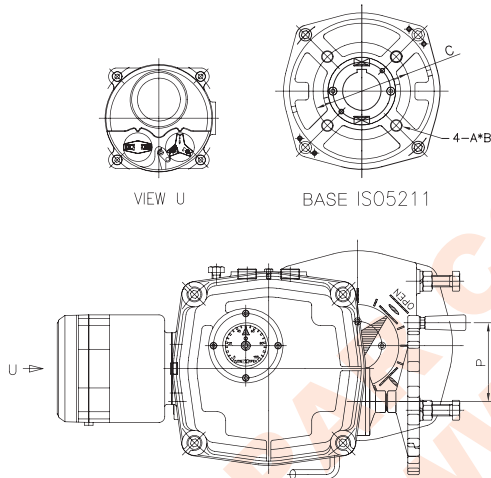
LH- Electric Actuators



LH015, LH020, LH030, LH050, LH060, LH080, LH120



LH200, LH320



SIZE	BaseISO5211 ΦC	A B	D (Max)	E	F	G	H	I	J	K	L	M	N	O	P	Q	R	S	W	X	Y	Z
LH015	F07/F10	M8/M10	22	125	3	42	73	200	65	142	87	200	68	54	78	160	/	/	160	498	229	268
	Φ70/Φ102	12/15																				
LH020	F07/F10	M8/M10	22	125	3	42	73	200	65	142	87	200	68	54	78	160	/	/	160	498	229	268
	Φ70/Φ102	12/15																				
LH030	F10/F12	M10/M12	35	148	3	49	82	221	65	160	99	221	69	65	78	180	/	/	160	528	259	290
	Φ102/Φ125	15/18																				
LH050	F10/F12	M10/M12	35	148	3	49	82	221	65	160	99	235	69	65	78	180	/	/	160	528	259	304
	Φ102/Φ125	15/18																				
LH060	F10/F12	M10/M12	35	148	3	49	82	221	65	160	99	235	69	65	78	180	/	/	160	528	259	304
	Φ102/Φ125	15/18																				
LH080	F12/F14	M12/M16	45	178	3	57	103	242	65	186	111	256	74	78	110	210	/	/	160	570	297	330
	Φ125/Φ140	18/24																				
LH120	F12/F14	M12/M16	45	178	3	57	103	242	65	186	111	256	74	78	110	210	/	/	160	570	297	330
	Φ125/Φ140	18/24																				
LH200	F14*/F16	M16*/M20	65	245	5	90	103	242	65	186	133	256	74	78	110	210	233	133	160	570	319	563
	Φ140*/Φ165	24*/30																				
LH320	F14*/F16	M16*/M20	65	245	5	90	103	242	65	186	133	256	74	78	110	210	233	133	160	570	319	563
	Φ140*/Φ165	24*/30																				