



LU-5~200 Main features& Characteristics

- ※ Complete function:Customize intelligent, proportional and switch-type valves of various signal output and voltages
- ※ Compact size:Size and weight equal to only 35-40% of congeneric products
- ※ High standard protection:Protection standard of IP67 for outdoor operation
- ※ Reliable performance:Lengthen service life of easily damaged parts such as bearing and electrical components
- ※ Precise and wear resistant:Turbine output shaft is forged by integrated special copper alloy, high in strength and great in wear resistance
- ※ Little return difference:Integrated turbine output shaft avoids clearance of key joint and ensures precision
- ※ Safety assurance:Grade F insulation motor passed high-voltage insulation test assures safety
- ※ Integrated:Valve body carries intelligent control module, no need of external connection with other accessories
- ※ Simple mating:Adopted single-phase source simplifies circuit external connection
- ※ Convenient to use:Installation at any angle, no need of secondary maintenance
- ※ Protective device:Double limit with over temperature protection
- ※ Optional speed:5S, 10S, 15S, 30S, 60S
- ※ Optional explosion-proof type:Explosion series: Ex d IIB T4



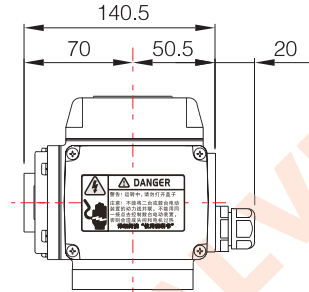
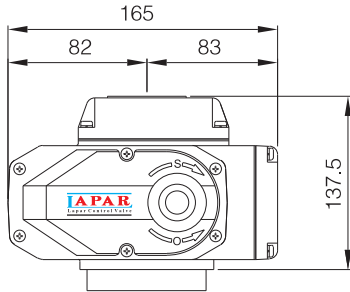
Parameters

SIZE	Torque	Weight	Voltage	Travel time	Motor power	Rated current	Protection standard
5	50Nm	2.4kg	DC24V	10S	20W	2A	IP67
			AC110V	30S	10W	0.48A	IP67
			AC220V	30S	10W	0.24A	IP67
			AC380V	30S	10W	0.15A	IP67
10	100Nm	4.2kg	DC24V	10S	40W	2.4A	IP67
			AC110V	30S	23W	0.64A	IP67
			AC220V	30S	23W	0.32A	IP67
			AC380V	30S	23W	0.19A	IP67
20	200Nm	7.2kg	DC24V	10S	40W	8A	IP67
			AC110V	30S	40W	0.9A	IP67
			AC220V	30S	40W	0.48A	IP67
			AC380V	30S	40W	0.25A	IP67
40	400Nm	7.2kg	DC24V	10S	90W	7A	IP67
			AC110V	30S	90W	2A	IP67
			AC220V	30S	90W	0.92A	IP67
			AC380V	30S	90W	0.45A	IP67
60	600Nm	8kg	DC24V	10S	90W	7A	IP67
			AC110V	30S	90W	2A	IP67
			AC220V	30S	90W	0.92A	IP67
			AC380V	30S	90W	0.45A	IP67
100	1000Nm	11.5kg	AC110V	50S	100W	2.2A	IP67
			AC220V	50S	100W	1.2A	IP67
			AC380V	50S	100W	0.48A	IP67
200	2000Nm	12.1kg	AC110V	100S	100W	2.2A	IP67
			AC220V	100S	100W	1.2A	IP67
			AC380V	100S	100W	0.48A	IP67

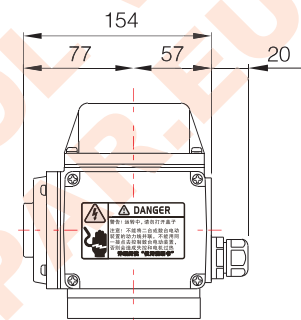
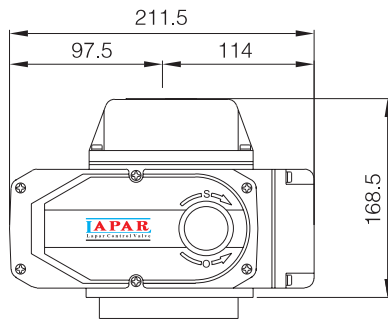


LU 5-200

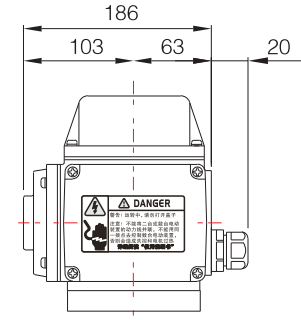
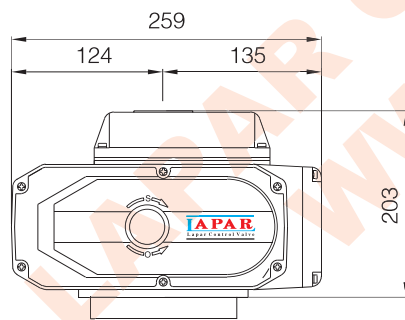
LU-5



LU-10



LU-20,40,60



LU-100,200

