



LPA12-

Threaded Ball Valve



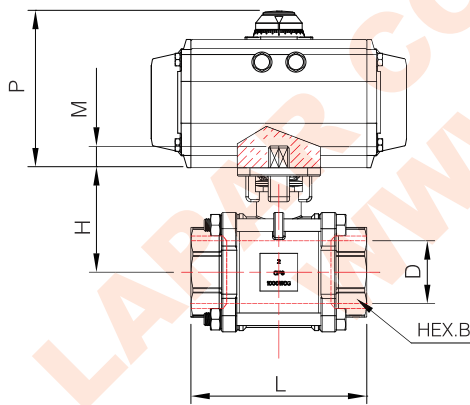
Code	Actuator	Action	Air Fail Position	Control	Structure	Body	Sealing	Ball	Connection DN	PN
LPA12-	1 Pneumatic	D Double-acting	1 Normally Open	A On-off	7 Three-piece	A 316L	P PTFE	A 316L	3 Thread	
	2 Pneumatic & Handwheel	S Single-acting	2 Normally Closed	B Control	0 Others	B 316	Q TFM1600	B 316		
	3 Electric DC24V	0 Others	3 Flexible	C Intelligent		C 304	T EK	C 304		
	4 Electric AC220V		4 Held	0 Others		I 304L	0 Others	I 304L		
	5 Electric AC380V		0 Others			D WCB		0 Others		
	7 Handle					0 Others				
	8 Turbine									
	0 Others									

Design Feature

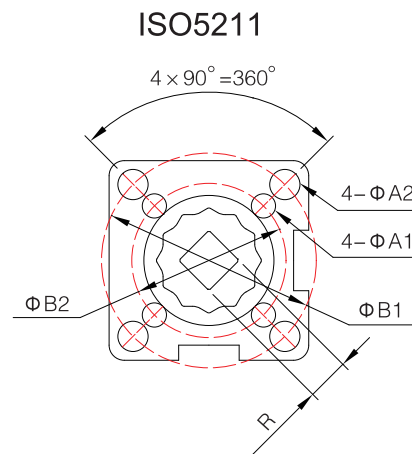
- Lost-wax precision casting
- Fire safe design approved
- Built-in ISO 5211 direct mounting pad for easy automation
- Anti-static devices for ball-stem-body
- Blow-out proof stem
- TA-LUFT design approved
- A variety of thread standards approved

Parameter

- DN: 8~100mm
- PN: 1.6~6.3Mpa
- Design: ASME B16.34, API 608
- Pipe Thread: ASME B1.20.1, BS21, DIN 2999/259, ISO 7/1, ISO 228/1, JIS B 0203
- Inspection & Testing: API 598 EN 12266
- Applicable Temperature:
 - ▲ PTFE, TFM1600: -29~+178°C
 - ▲ EK: -29~+250°C



* P: Please refer to the actuator configuration table



Unit:mm

SIZE	L	D	H	R	HEX.B	M	A1	A2	B1	B2	ISO5211	LT-DA	LT-SR	LU	LH	
DN8	1/4"	75	10.6	42	9	27	9	6	6	36	42	F03-F04	LT 50	LT 50	LU 50	LH 006
DN10	3/8"	75	12.7	42	9	27	9	6	6	36	42	F03-F04	LT 50	LT 63	LU 50	LH 006
DN15	1/2"	75	15	42	9	27	9	6	6	36	42	F03-F04	LT 50	LT 75	LU 50	LH 006
DN20	3/4"	80	20	48.5	9	34	9	6	7	36	50	F03-F05	LT 63	LT 75	LU 50	LH 006
DN25	1"	90	25	58.5	11	41	11	6	7	42	50	F04-F05	LT 63	LT 88	LU 160	LH 006
DN32	1-1/4"	110	32	63	11	50	11	6	9	42	70	F04-F07	LT 75	LT 100	LU 160	LH 008
DN40	1-1/2"	120	38	71.3	14	56	14	7	9	50	70	F05-F07	LT 88	LT 115	LU 250	LH 010
DN50	2"	140	50	78.2	14	70	14	7	9	50	70	F05-F07	LT 100	LT 125	LU 250	LH 015
DN65	2-1/2"	185	63.5	100	17	-	17	9	11	70	102	F07-F10	LT 125	LT 145	LU 500	LH 030
DN80	3"	205	76	108.5	17	-	17	9	11	70	102	F07-F10	LT 145	LT 180	LU 500	LH 050
DN100	4"	240	100	140	22	-	22	-	11	-	102	F10	LT 160	LT 200	LU 1000	LH 050