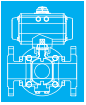


# LAPAR

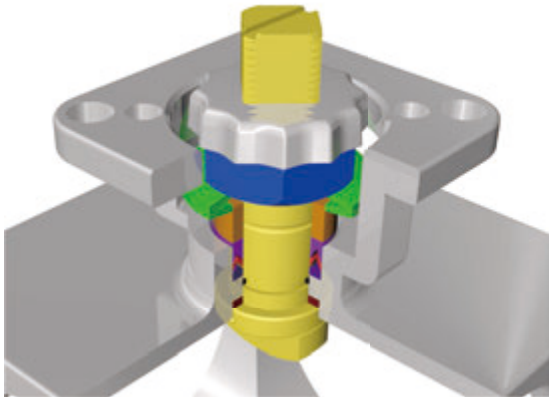
LPA13/14 Series

Three-way Ball Valve





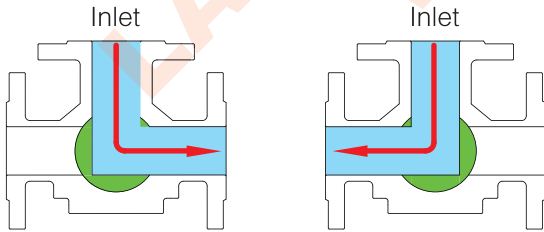
# LPA13/14- 3-Way Ball Valve Product Description



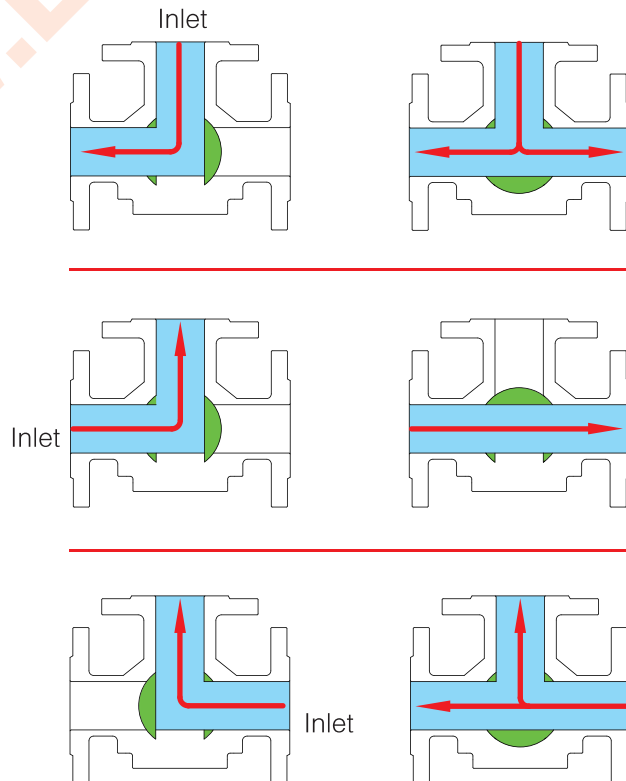
- Built-in ISO 5211 direct mounting pad for easy automation
- Anti-static devices for ball-stem-body
- Blow-out proof stem
- Double wing shrapnel design can guarantee that there is always the prestressing force compression packing
- TA-LUFT design approved

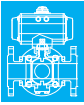
## Flow Diagram

Three-way L



Three-way T





# LPA13—

## Flanged Three-way Ball Valve



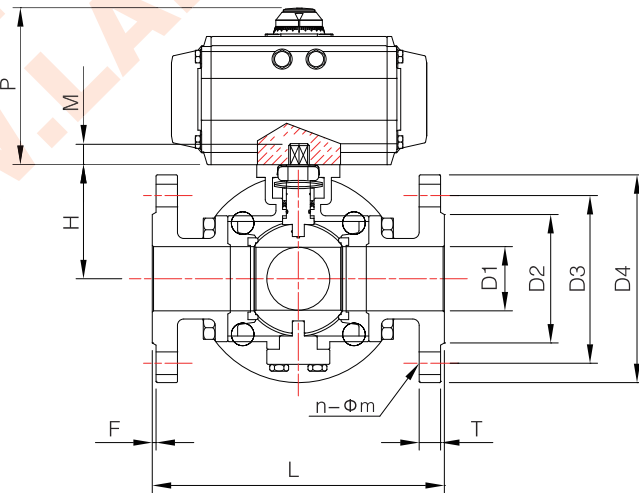
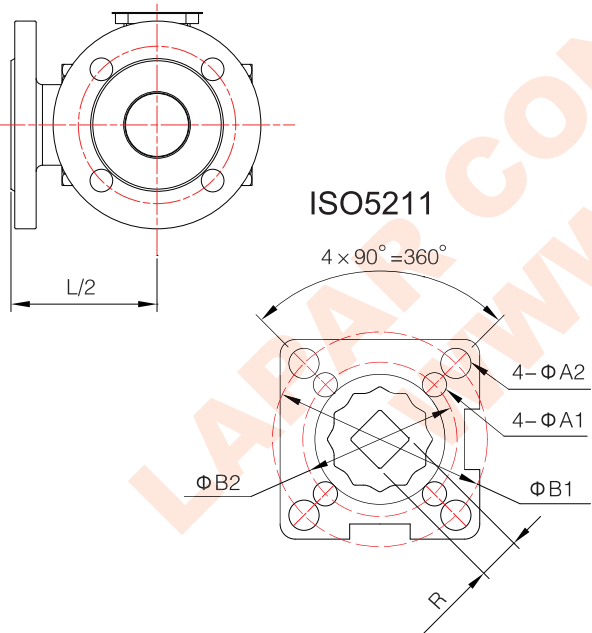
Code	Actuator	Action	Air Fail Position Control	Structure	Body	Sealing	Ball	Connection DN	PN	
LPA13-	<ul style="list-style-type: none"> <li>1 Pneumatic</li> <li>2 Pneumatic &amp; Handwheel</li> <li>3 Electric DC24V</li> <li>4 Electric AC220V</li> <li>5 Electric AC380V</li> <li>7 Handle</li> <li>8 Turbine</li> <li>0 Others</li> </ul>	<ul style="list-style-type: none"> <li>D Double-acting</li> <li>S Single-acting</li> <li>0 Others</li> </ul>	<ul style="list-style-type: none"> <li>1 Normally Open</li> <li>2 Normally Closed</li> <li>3 Flexible</li> <li>4 Held</li> <li>0 Others</li> </ul>	<ul style="list-style-type: none"> <li>A On-off</li> <li>B Control</li> <li>C Intelligent</li> <li>0 Others</li> </ul>	<ul style="list-style-type: none"> <li>8 Three-way L</li> <li>9 Three-way T</li> <li>0 Others</li> </ul>	<ul style="list-style-type: none"> <li>A 316L</li> <li>B 316</li> <li>C 304</li> <li>I 304L</li> <li>D WCB</li> <li>0 Others</li> </ul>	<ul style="list-style-type: none"> <li>P PTFE</li> <li>Q TFM1600</li> <li>T EK</li> <li>0 Others</li> </ul>	<ul style="list-style-type: none"> <li>A 316L</li> <li>B 316</li> <li>C 304</li> <li>I 304L</li> <li>0 Others</li> </ul>	<ul style="list-style-type: none"> <li>1 Flange</li> </ul>	<ul style="list-style-type: none"> <li>0</li> </ul>

### Design Feature

- Lost-wax precision casting
- Built-in ISO 5211 direct mounting pad for easy automation
- Anti-static devices for ball-stem-body
- Blow-out proof stem
- Pressure balance hole in ball slot
- TA-LUFT design approved

### Parameter

- DN: 15~100mm
- PN: 1.6~4.0Mpa
- Design:
  - DIN 3357/1,2, EN 12516-1
  - ASME B16.34, API 608
- Flange End:
  - DIN EN1092-1 PN10-PN40
  - AMSME B16.5
  - JIS B2238
- Inspection & Testing:
  - DIN 3230/3, EN 12266
  - API 598, API 6D
  - JIS B2003, API 598
- Applicable Temperature:
  - ▲ PTFE、TFM1600: -29°C ~ 178°C
  - ▲ EK: -29°C ~ 250°C



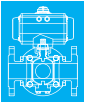
\* P: Please refer to the actuator configuration table

### DIN PN16/25/40

Unit:mm

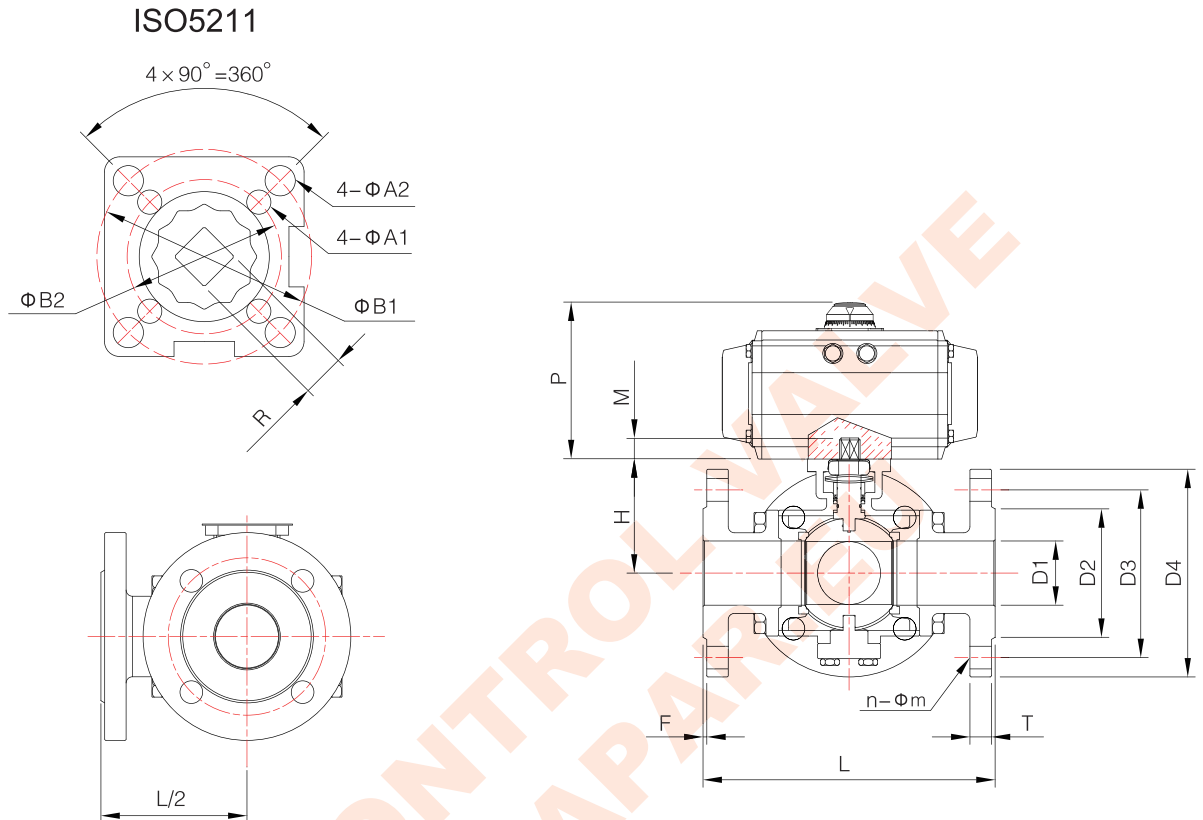
SIZE	PN	L	D1	D2	D3	D4	T	F	n	Φm	H	M	R	A1	A2	B1	B2	ISO5211	LT-DA	LT-SR	LU	LH
DN15 1/2"	16	150	15	45	65	95	16	2	4	14	53	9	9	6	6	36	42	F03-F04	LT 50	LT 63	LU 50	LH 006
DN20 3/4"		165	20	58	75	105	18	2	4	14	57	9	9	6	6	36	42	F03-F04	LT 50	LT 63	LU 50	LH 006
DN25 1"		181	25	68	85	115	18	3	4	14	68	11	11	6	7	42	50	F04-F05	LT 63	LT 75	LU 50	LH 006
DN32 1-1/4"	25	190	32	78	100	140	18	3	4	18	72	11	11	6	7	42	50	F04-F05	LT 75	LT 88	LU 50	LH 006
DN40 1-1/2"		212	38	88	110	150	18	3	4	18	85	14	14	7	9	50	70	F05-F07	LT 75	LT 88	LU 50	LH 006
DN50 2"		230	50	102	125	165	20	3	4	18	92	14	14	7	9	50	70	F05-F07	LT 88	LT 100	LU 160	LH 008
DN65 2-1/2"	16 25/40	290	63	122	145	185	18 22	3	4 8	18	107	17	17	9	11	70	102	F07-F10	LT 100	LT 125	LU 160	LH 010
DN80 3"	16 25/40	310 340	75	138	160	200	20 24	3	8	18	119	17	17	9	11	70	102	F07-F10	LT 125	LT 160	LU 250	LH 030
DN100 4"	16 25/40	353 386	99	158 162	180 190	220 235	20 24	3	8	18 22	150	22	22	N/A	11	N/A	102	F10	LT 160	LT 180	LU 500	LH 050

Note: D3 is designed to meet DIN EN1092-1



**LPA13-**

**Flanged Three-way Ball Valve**



\* P: Please refer to the actuator configuration table

**ASME CLASS150**

Unit:mm

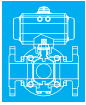
SIZE	L	D1	D2	D3	D4	T	F	n	Φm	H	M	R	A1	A2	B1	B2	ISO5211	LT-DA	LT-SR	LU	LH
1/2"	150	15	35	60.5	89	9.7	2	4	16	53	9	9	6	6	36	42	F03-F04	LT 50	LT 63	LU 50	LH 006
3/4"	165	20	43	70	98.6	10.5	2	4	16	57	9	9	6	7	36	50	F03-F04	LT 50	LT 63	LU 50	LH 006
1"	181	25	51	79.2	108	11.2	2	4	16	68	11	11	6	7	42	50	F04-F05	LT 63	LT 75	LU 50	LH 006
1-1/4"	190	32	63.5	88.9	117	12.7	2	4	16	72	11	11	6	9	42	70	F04-F05	LT 75	LT 88	LU 50	LH 006
1-1/2"	212	38	73.2	98.6	127	14.2	2	4	16	85	14	14	7	9	50	70	F05-F07	LT 75	LT 88	LU 50	LH 006
2"	230	49	92	120.7	152.5	15.9	2	4	19	92	14	14	7	9	50	70	F05-F07	LT 88	LT 100	LU 160	LH 008
2-1/2"	290	63	104.7	139.7	177.8	17.5	2	4	19	107	17	17	9	11	70	102	F07-F10	LT 100	LT 125	LU 160	LH 010
3"	310	75	127	152.4	190.5	19.1	2	4	19	119	17	17	9	11	70	102	F07-F10	LT 125	LT 160	LU 250	LH 030
4"	367	99	157.2	190.5	228.6	23.9	2	8	19	150	22	22	N/A	11	N/A	102	F10	LT 160	LT 180	LU 500	LH 050

**ASME CLASS300**

Unit:mm

SIZE	L	D1	D2	D3	D4	T	F	n	Φm	H	M	R	A1	A2	B1	B2	ISO5211	LT-DA	LT-SR	LU	LH
1/2"	150	15	35	66.5	95.3	14.3	2	4	16	53	9	9	6	6	36	42	F03-F04	LT 50	LT 63	LU 50	LH 006
3/4"	165	20	43	82.6	117.4	15.9	2	4	19	57	9	9	6	7	36	50	F03-F04	LT 50	LT 63	LU 50	LH 006
1"	181	25	51	88.9	124	17.5	2	4	19	68	11	11	6	7	42	50	F04-F05	LT 63	LT 75	LU 50	LH 006
1-1/4"	207	32	63.5	98.6	133.4	19.1	2	4	19	72	11	11	6	9	42	70	F04-F05	LT 75	LT 88	LU 50	LH 006
1-1/2"	234	38	73.2	114.3	155.5	20.7	2	4	22.3	85	14	14	7	9	50	70	F05-F07	LT 75	LT 88	LU 50	LH 006
2"	258	49	92	127	165.1	22.3	2	4	22.3	92	14	14	7	9	50	70	F05-F07	LT 88	LT 100	LU 160	LH 008
2-1/2"	316	63	104.7	149.4	190.5	25.4	2	4	22.3	107	17	17	9	11	70	102	F07-F10	LT 100	LT 125	LU 160	LH 010
3"	360	75	127	168.1	209.6	28.6	2	4	22.3	119	17	17	9	11	70	102	F07-F10	LT 125	LT 160	LU 250	LH 030
4"	398	99	157.2	200.2	254	31.8	2	8	22.3	150	22	22	N/A	11	N/A	102	F10	LT 160	LT 180	LU 500	LH 050

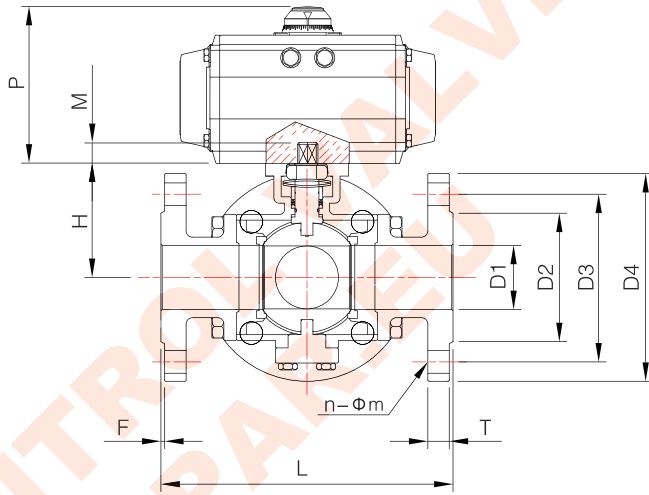
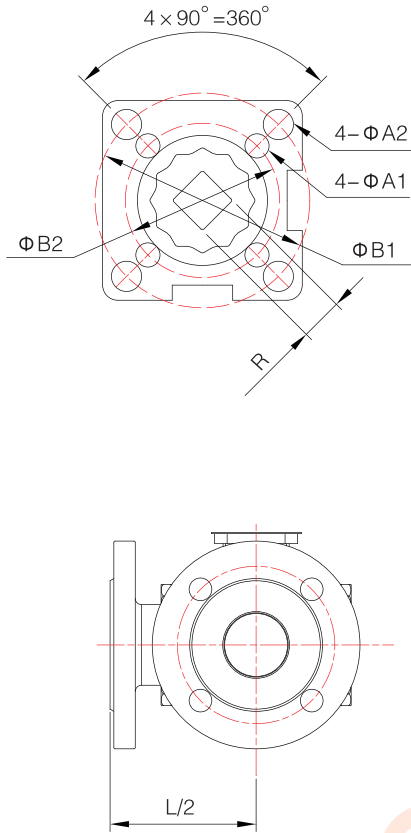
Note: D3 is designed to meet ANSI 150 B16.5



**LPA13-**

**Flanged Three-way Ball Valve**

**ISO5211**



\* P: Please refer to the actuator configuration table

**JIS 10K**

Unit:mm

SIZE	L	D1	D2	D3	D4	T	F	n	Φm	H	M	R	A1	A2	B1	B2	ISO5211	LT-DA	LT-SR	LU	LH
15A	1/2"	150	15	51	70	95	12	1	4	15	53	9	6	6	36	42	F03-F04	LT 50	LT 63	LU 50	LH 006
20A	3/4"	165	20	56	75	100	14	1	4	15	57	9	6	7	36	50	F03-F04	LT 50	LT 63	LU 50	LH 006
25A	1"	181	25	67	90	125	14	1	4	19	68	11	6	7	42	50	F04-F05	LT 63	LT 75	LU 50	LH 006
32A	1-1/4"	190	32	76	100	135	16	2	4	19	72	11	6	9	42	70	F04-F05	LT 75	LT 88	LU 50	LH 006
40A	1-1/2"	212	38	81	105	140	16	2	4	19	85	14	7	9	50	70	F05-F07	LT 75	LT 88	LU 50	LH 006
50A	2"	230	50	96	120	155	16	2	4	19	92	14	7	9	50	70	F05-F07	LT 88	LT 100	LU 160	LH 008
65A	2-1/2"	290	63	116	140	175	18	2	4	19	107	17	9	11	70	102	F07-F10	LT 100	LT 125	LU 160	LH 010
80A	3"	310	75	126	150	185	18	2	8	19	119	17.8	17	9	11	70	F07-F10	LT 125	LT 160	LU 250	LH 030
100A	4"	352	99	151	175	210	18	2	8	19	150	22	22	N/A	11	N/A	F10	LT 160	LT 180	LU 500	LH 050

**JIS 20K**

Unit:mm

SIZE	L	D1	D2	D3	D4	T	F	n	Φm	H	M	R	A1	A2	B1	B2	ISO5211	LT-DA	LT-SR	LU	LH
15A	1/2"	150	15	51	70	95	14	1	4	15	53	9	6	6	36	42	F03-F04	LT 50	LT 63	LU 50	LH 006
20A	3/4"	165	20	56	75	100	16	1	4	15	57	9	6	7	36	50	F03-F04	LT 50	LT 63	LU 50	LH 006
25A	1"	181	25	67	90	125	16	1	4	19	68	11	6	7	42	50	F04-F05	LT 63	LT 75	LU 50	LH 006
32A	1-1/4"	190	32	76	100	135	18	2	4	19	72	11	6	9	42	70	F04-F05	LT 75	LT 88	LU 50	LH 006
40A	1-1/2"	212	38	81	105	140	18	2	4	19	85	14	7	9	50	70	F05-F07	LT 75	LT 88	LU 50	LH 006
50A	2"	230	50	96	120	155	18	2	4	19	92	14	7	9	50	70	F05-F07	LT 88	LT 100	LU 160	LH 008
65A	2-1/2"	290	63	116	140	175	20	2	4	19	107	17	9	11	70	102	F07-F10	LT 100	LT 125	LU 160	LH 010
80A	3"	340	75	132	160	200	22	2	8	23	119	17.8	17	9	11	70	F07-F10	LT 125	LT 160	LU 250	LH 030
100A	4"	386	99	160	185	225	24	2	8	23	150	22	22	N/A	11	N/A	F10	LT 160	LT 180	LU 500	LH 050

Note: D3 is designed to meet JIS B2238