

LPA15— Welding Ball Valve



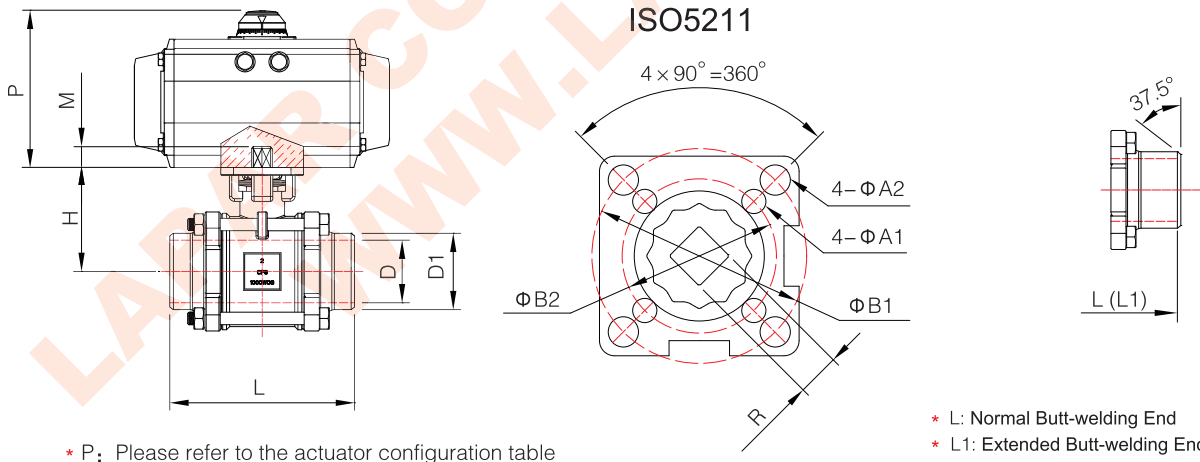
Code	Actuator	Action	Air Fail Position	Control	Structure	Body	Sealing	Ball	Connection DN	PN
LPA12-	<ul style="list-style-type: none"> 1 Pneumatic 2 Pneumatic & Handwheel 3 Electric DC24V 4 Electric AC220V 5 Electric AC380V 7 Handle 8 Turbine 0 Others 	<ul style="list-style-type: none"> D Double-acting S Single-acting 0 Others 	<ul style="list-style-type: none"> 1 Normally Open 2 Normally Closed 3 Flexible 4 Held 0 Others 	<ul style="list-style-type: none"> A On-off B Control C Intelligent 0 Others 	<ul style="list-style-type: none"> 7 Three-piece 0 Others 	<ul style="list-style-type: none"> A 316L B 316 C 304 I 304L D WCB 0 Others 	<ul style="list-style-type: none"> P PTFE Q TFM1600 T EK 0 Others 	<ul style="list-style-type: none"> A 316L B 316 C 304 I 304L 0 Others 	<ul style="list-style-type: none"> 3 Weld 	<ul style="list-style-type: none"> 0

Design Features

- Lost-wax precision casting
- Fire safe design approved
- Built-in ISO 5211 direct mounting pad for easy automation
- Anti-static devices for ball-stem-body
- Blow-out proof stem
- TA-LUFT design approved

Parameter

- DN: 8~100mm
- PN: 1.6~6.3Mpa
- Design: ASME B16.34, API 608
- Butt Weld: ASME B16.25(ΦD Sch 40)
ΦD Available in Sch 80
- Inspection & Testing: API 598 EN 12266
- Applicable Temperature:
 - ▲ PTFE、TFM1600: -29°C ~ 178°C
 - ▲ EK: -29°C ~ 250°C



Unit:mm

SIZE	L	L1	D	D1	H	R	M	A1	A2	B1	B2	ISO5211	LT-DA	LT-SR	LU	LH	
DN8	1/4"	72	165	9.3	18	42	9	9	6	6	36	42	F03-F04	LT 50	LT 50	LU 50	LH 006
DN10	3/8"	72	165	12.5	18	42	9	9	6	6	36	42	F03-F04	LT 50	LT 63	LU 50	LH 006
DN15	1/2"	75	165	15.8	22	42	9	9	6	6	36	42	F03-F04	LT 50	LT 75	LU 50	LH 006
DN20	3/4"	90	190	20.9	28	48.5	9	9	6	7	36	50	F03-F05	LT 63	LT 75	LU 50	LH 006
DN25	1"	100	216	26.7	34	58.5	11	11	6	7	42	50	F04-F05	LT 63	LT 88	LU 160	LH 006
DN32	1-1/4"	110	229	35.1	43	63	11	11	6	9	42	70	F04-F07	LT 75	LT 100	LU 160	LH 008
DN40	1-1/2"	125	241	40.9	50	71.3	14	14	7	9	50	70	F05-F07	LT 88	LT 115	LU 250	LH 010
DN50	2"	150	292	52.5	61	78.2	14	14	7	9	50	70	F05-F07	LT 100	LT 125	LU 250	LH 015
DN65	2-1/2"	190	330	62.7	76	100	17	17	9	11	70	102	F07-F10	LT 125	LT 145	LU 500	LH 030
DN80	3"	220	356	78	92	108.5	17	17	9	11	70	102	F07-F10	LT 145	LT 180	LU 500	LH 050
DN100	4"	270	432	102.4	115	140	22	22	-	11	-	102	F10	LT 160	LT 200	LU 1000	LH 050