

衬氟球阀 LPA19-

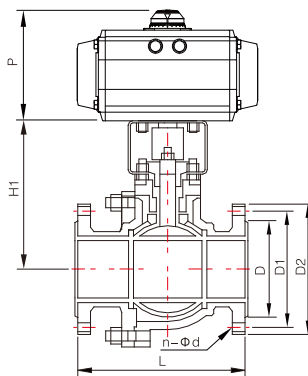
Fluorine Lining Ball Valve



阀类代号 Code	执行机构 Actuator	作用形式 Action	出厂状态 Air Fail Position	控制方式 Control	结构形式 Structure	阀体材质 Body Material	密封材质 Sealing Material	阀芯材质 Ball Material	连接方式 Connection	口径 DN	压力 PN
LPA19-	1 气动 Pneumatic 2 气动+手轮 Pneumatic & Handwheel 3 电动 DC24V Electric 4 电动 AC220V Electric 5 电动 AC380V Electric 7 手柄 Handle 8 涡轮 Turbine 0 其它 Others	D 双作用 Double-acting S 单作用 Single-acting 0 其它 Others	1 常开 Normally Open 2 常闭 Normally Closed 3 无固定 Flexible 4 保位 Held 0 其它 Others	A 开关型 On-off B 调节型 Control C 智能型 Intelligent 0 其它 Others	6 两块式 Two-pieces 0 其它 Others	B CF8M C CF8 D WCB 0 其它 Others	P PTFE Y FEP(F46) 0 其它 Others	B CF8M C CF8 D WCB 0 其它 Others	1 法兰 Flange 0 其它 Others	 	



驱动方式 Driving Mode	电动、气动(5~7bar) Electric,Pneumatic
公称通径 DN	15 ~ 350mm
公称压力 PN	1.0~2.5MPa
适用温度 Applicable Temp.	PTFE & FEP(F46): -29 ~ +100°C
适用介质 Medium	强酸、强碱、强氧化剂 Strong acid,Strong alkali,Strong oxidant
可选附件 Optional	限位开关、定位器、电磁阀、过滤调压阀、手轮 Limit switch,Positioner,Solenoid valve,Air filter regulator,Handwheel
连接标准 Connection Type	GB9113.1



GB PN10/16/25

Unit:mm

SIZE	L	D	PN10		PN16		PN25		H1
			D1	n-Φd	D1	n-Φd	D1	n-Φd	
15	1/2"	132	65	4-14	65	4-14	65	4-14	120
20	3/4"	142	75	4-14	75	4-14	75	4-14	125
25	1"	150	85	4-14	85	4-14	85	4-14	130
32	1-1/4"	165	100	4-18	100	4-18	100	4-18	150
40	1-1/2"	180	110	4-18	110	4-18	110	4-18	155
50	2"	200	125	4-18	125	4-18	125	4-18	165
65	2-1/2"	220	145	4-18	145	4-18	145	8-18	175
80	3"	250	160	8-18	160	8-18	160	8-18	230
100	4"	280	180	8-18	180	8-18	190	8-23	255
125	5"	320	210	8-18	210	8-18	220	8-26	275
150	6"	360	240	8-23	240	8-23	250	8-26	305
200	8"	400	295	8-23	295	12-23	310	12-26	348
250	10"	450	350	12-23	355	12-26	370	12-30	390
300	12"	500	400	12-23	410	12-26	490	16-30	485
350	14"	610	460	16-23	470	16-26	/	/	590

P: 请参考执行器配置表 Please refer to the actuator configuration table

备注 Note: D3按照 GB9113.1制定 D3 is designed to meet GB9113.1

本产品内腔及球体均采用高压注塑工艺，衬有耐腐蚀、耐老化的F46或PTFE。故具有可靠的耐腐蚀性和密封性。能广泛用于化工、石油、冶金、医药、电力等工业控制系统。对酸、碱等强腐蚀性介质均能很好地应用。
The inner cavity and sphere of the product adopt high pressure injection molding process, and is lined with corrosion resistant, aging resistant F46 or PTFE. So it has reliable corrosion resistance and sealing. It can be widely used in the industrial control system such as chemical industry, petroleum, metallurgy, medicine, electrical power, etc. Strong corrosive medium such as acid, alkali can be well applied.

※ 连接端无外漏结构设计。
End connection without leakage structure design.
 ※ 流阻小、流通能力大。
Small flow resistance, large flow capacity.
 ※ 适用化学介质。
Applying chemical medium.
 ※ 结构简单，操作、维修方便。
Simple structure, convenient operation and maintenance.