



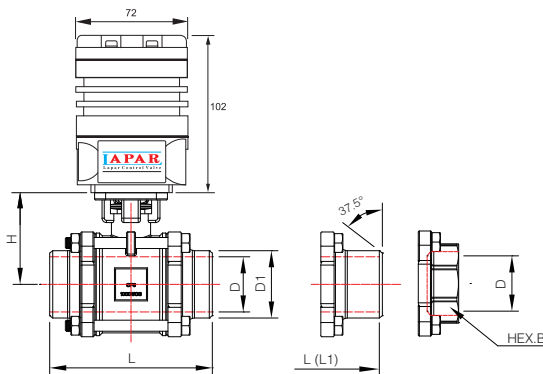
精小型电动金属球阀 LPAJ12- Mini Electric Metal Ball Valve



阀类代号 Code	执行机构 Actuator	作用形式 Action	出厂状态 Air Fail Position	控制方式 Control	结构形式 Structure	阀体材质 Body Material	密封材质 Sealing Material	阀芯材质 Ball Material	连接方式 Connection	口径 DN	压力 PN
LPAJ12-	3 电动 DC24V Electric 4 电动 AC220V Electric 0 其它 Others	0 其它 Others	3 无固定 Flexible 0 其它 Others	A 开关型 On-off 0 其它 Others	7 三块式 Three-piece 8 三通L Three-way L 9 三通T Three-way T 0 其它 Others	A CF3M B CF8M C CF8 I CF3 0 其它 Others	P PTFE Q TFM1600 T EK W PEEK 2 PE 5 TFM4215 0 其它 Others	A CF3M B CF8M C CF8 I CF3 0 其它 Others	3 内螺纹 Thread 4 卡箍 Clamp 5 对焊 Weld 6 承插焊 Socket weld 0 其它 Others		



驱动方式 Driving Mode	电动 Electric
公称通径 DN	8 ~ 25mm
公称压力 PN	1.6 ~ 6.3MPa
适用温度 Applicable Temp.	PTFE & TFM1600 & TFM4215: -29 ~ +150°C EK: -29 ~ +200°C / PE & PEEK: -29 ~ +250°C
适用介质 Medium	气体、水、油 Gas, Water, Oil



DIN PN63

Unit:mm

SIZE		对焊 Weld				内螺纹 Thread			H
		L	L1	D	D1	L	D	HEX.B	
8	1/4"	72	165	9.3	18	75	10.6	27	42
10	3/8"	72	165	12.5	18	75	12.7	27	42
15	1/2"	75	165	15.8	22	75	15	27	42
20	3/4"	90	190	20.9	28	80	20	34	48.5
25	1"	100	216	26.7	34	90	25	41	58.5

L: 标准焊端 Normal Butt-welding End L1: 加长焊端 Extended Butt-welding End
管螺纹接端 Pipe Thread: BSP,NPT

LPAJ12-系列精小型电动不锈钢球阀，主要适用于小型机械设备配套选用，本产品有重量轻、体积小、成本低等优点、阀体有螺纹连接和对焊连接可选，结构紧凑整体美观。
LPAJ12-series of fine small electric stainless steel ball valve is mainly suitable for the selection of small mechanical equipment. The product has the advantages of light weight, small volume and low cost. Threaded connection and butt welding are optional. It has compact structure and is beautiful as a whole.

- ※ 防火、防静电设计。
Fire prevention, anti-static design.
- ※ 阀杆防爆出装置。
Valve rod explosion-proof device
- ※ 阀球上设计有压力平衡孔。
Pressure balance hole is designed on the valve ball.
- ※ 双层阀杆填料与对压碟型弹片装置。
Double stem packing and the pressure plate type shrapnel device.