

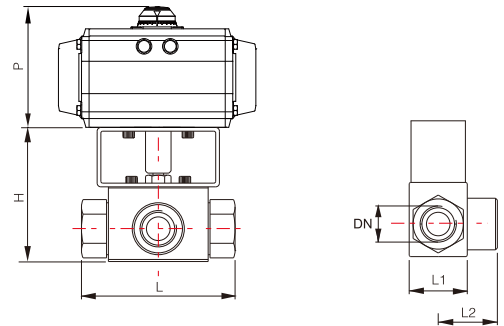
# 高压三通球阀 LPK14-

## High-pressure 3-Way Ball Valve



阀类代号 Code	执行机构 Actuator	作用形式 Action	出厂状态 Air Fail Position	控制方式 Control	结构形式 Structure	阀体材质 Body Material	密封材质 Sealing Material	阀芯材质 Ball Material	连接方式 Connection	口径 DN	压力 PN
LPK14-	<b>1</b> 气动 Pneumatic <b>2</b> 气动+手轮 Pneumatic & Handwheel <b>3</b> 电动 DC24V Electric <b>4</b> 电动 AC220V Electric <b>5</b> 电动 AC380V Electric <b>7</b> 手柄 Handle <b>8</b> 涡轮 Turbine <b>0</b> 其它 Others	<b>D</b> 双作用 Double-acting <b>S</b> 单作用 Single-acting <b>0</b> 其它 Others	<b>1</b> 常开 Normally Open <b>2</b> 常闭 Normally Closed <b>3</b> 无固定 Flexible <b>4</b> 保位 Held <b>0</b> 其它 Others	<b>A</b> 开关型 On-off <b>B</b> 调节型 Control <b>C</b> 智能型 Intelligent <b>0</b> 其它 Others	<b>8</b> 三通L Three-way L <b>9</b> 三通T Three-way T <b>0</b> 其它 Others	<b>A</b> 316L <b>B</b> 316 <b>C</b> 304 <b>D</b> WCB <b>I</b> 304L <b>0</b> 其它 Others	<b>P</b> PTFE <b>Q</b> TFM1600 <b>R</b> BODY <b>S</b> Stellite <b>V</b> POM <b>W</b> PEEK <b>5</b> TFM4215 <b>0</b> 其它 Others	<b>A</b> 316L <b>B</b> 316 <b>C</b> 304 <b>I</b> 304L <b>0</b> 其它 Others	<b>1</b> 法兰 Flange <b>3</b> 内螺纹 Thread <b>4</b> 卡箍 Clamp <b>5</b> 对焊 Weld <b>6</b> 承插焊 Socket weld <b>0</b> 其它 Others		

驱动方式 Driving Mode	电动、气动(5~7bar) Electric,Pneumatic
公称通径 DN	10 ~ 50mm
公称压力 PN	10.0 ~ 50.0MPa
适用温度 Applicable Temp.	POM & PTFE & TFM1600 & TFM4215: -29 ~ +150°C BODY & PEEK & Stellite: -29 ~ +250°C
适用介质 Medium	高压气体、液体 High-pressure gas,Liquid
可选附件 Optional	限位开关、定位器、电磁阀、过滤调压阀、手轮 Limit switch,Positioner,Solenoid valve,Air filter regulator,Handwheel



DIN PN100~500

Unit:mm

SIZE	L	L1	L2	H1
3/8"	73	35	37	85
1/2"	83	37	40	93.5
3/4"	95	45	52	106
1"	112	55	60	111
1 1/4"	115	88	95	132
1 1/2"	131	102	112	139.5
2"	140	113	125	160

P: 请参考执行器配置表 Please refer to the actuator configuration table

管螺纹接口 Pipe Thread: BSP,NPT

高压三通球阀有L型和T型之分，主要用于管路中油液的流通与截止，采用锻造阀体。嵌入式下游阀座，渗碳加硬处理的阀杆，根据材料变化的不同可达到单向或双向密封的要求。  
High-pressure 3-way ball valve is divided into L and T type. It is mainly used in oil circulation and the cut-off in pipeline. Adopting forging valve body, embedded downstream seat, the valve stem with carburizing and hard treatment and depending on the material change, the requirements of a one-way or two-way sealing can be met.

- ※ 承高压，密封性能好。  
Bearing high pressure, the good sealed performance.
- ※ 内腔流阻损失小。  
Small inner cavity flow resistance losses.
- ※ 外型小巧美观。  
Small and beautiful exterior.
- ※ 适用于液体与气体的管路。  
Suitable for liquid and gas pipeline.