

LAPAR

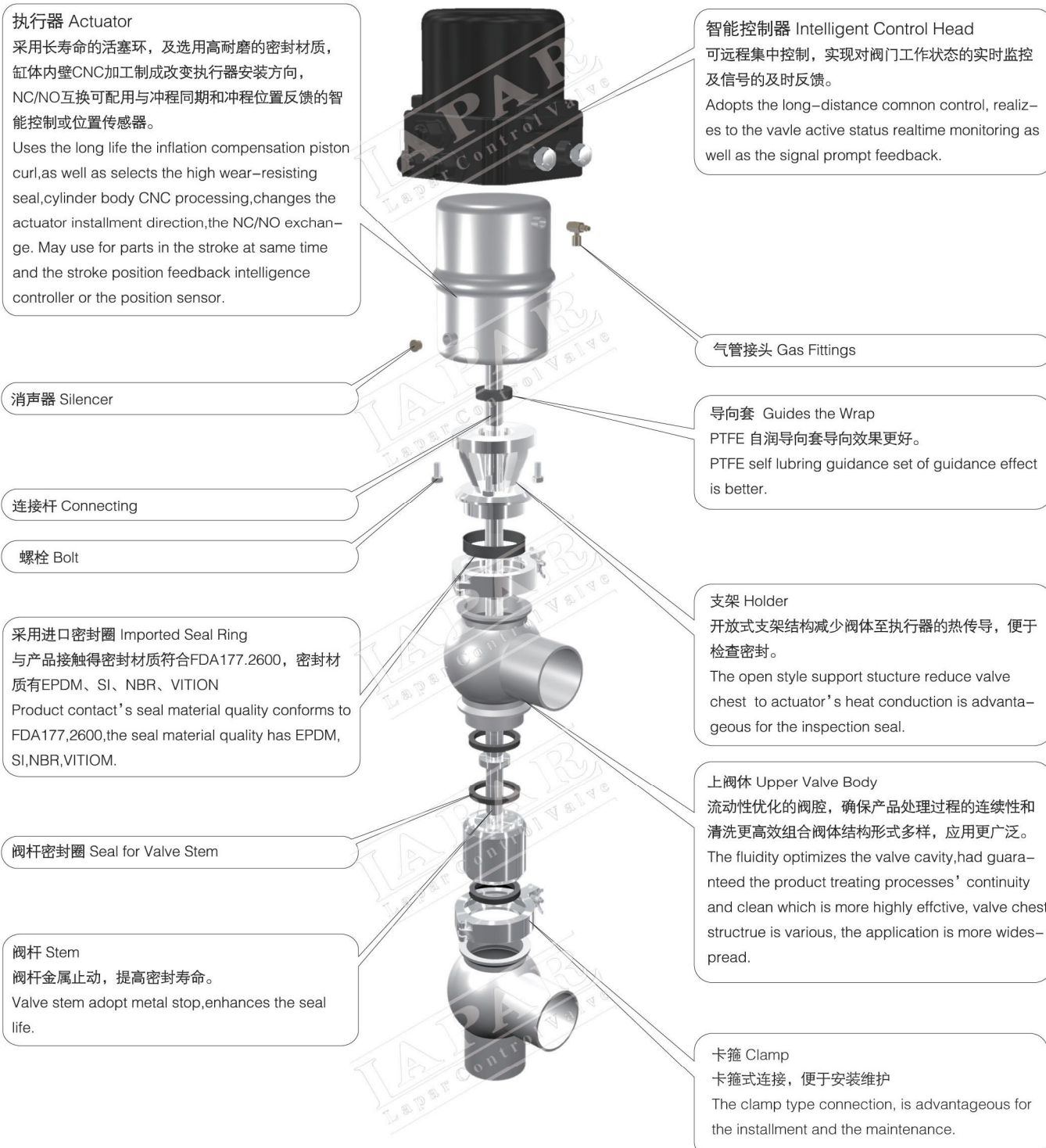
转向控制阀 LPC13-

Diverting Valve



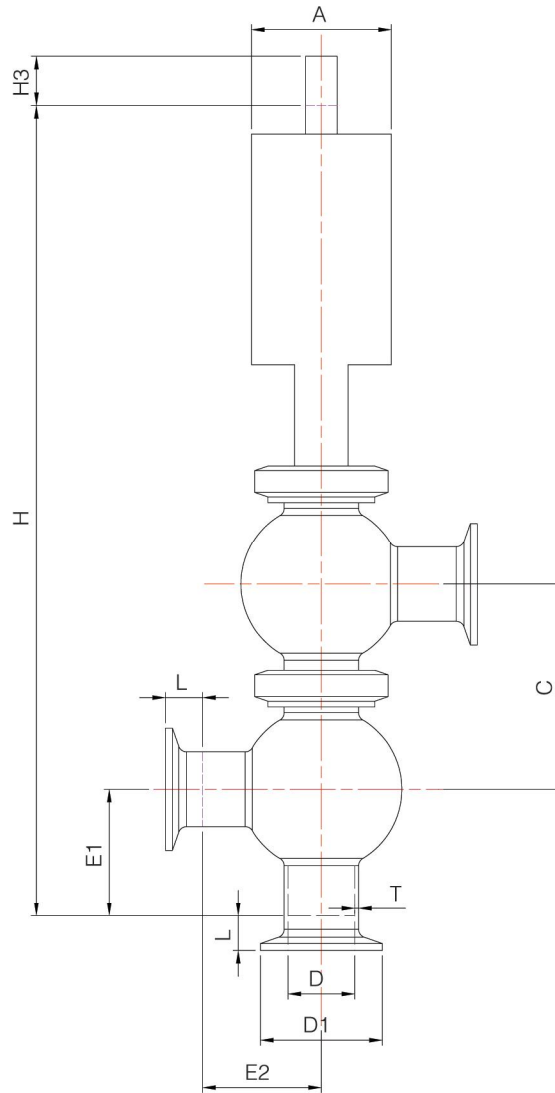


设计特性 Design Feature





外型尺寸 Size



Unit:mm

SIZE	L				D	D1	A	H	H3	C	E1	E2	T
	CLAMP	SMS male	IDF male	RJT male									
25.4	21.5	19	21.5	21.5	22.1	25.4	60	258	14	55.6	50.5	58.5	1.65
38.1	21.5	23	21.5	21.5	34.7	38.1	85	426	25	80	60	68.5	1.65
50.8	21.5	27	21.5	21.5	47.5	50.8	85	454	25	92	68.5	68.5	1.65
63.5	21.5	27	21.5	21.5	60.2	63.5	133	563	32	120	103.5	103.5	1.65
76.1	21.5	27	21.5	21.5	72.9	76.1	133	581	32	128	103.5	103.5	1.65



国际通用卫生管理标准及尺寸

International general standard and measurement of sanitary pipe and fittings

Unit:mm

ISO 2037		DIN 11850		JIS G 3459		SMS		3A		IDF	
O.D	T	O.D	T	O.D	T	OD	T	OD	T	OD	T
12	1	13	1.5	13.8	1.65						
17.2	1	19	1.5	17.3	1.65						
21.3	1	23	1.5	21.7	2.1						
25.4	1.2	29	1.5	27.2	2.1	25	1.25	25.4	1.25	25.4	1.5
33.7	1.2	36	1.5	34	2.8					31.8	1.5
38.1	1.5			42.7	2.8	38	1.25	38.1	1.25	38.1	1.5
40	1.5	41	1.5								
50.8	1.5	53	1.5	48.6	2.8	51	12.5	50.8	1.65	50.8	1.5
63.5	2			60.5	2.8	63.5	1.5	63.5	1.65	63.5	2
70	2	70	2								
76.3	2			76.3	3.0	76.1	1.6	76.2	1.65	76.3	2
88.9	2	85	2	89.1	3.0					89.1	2
101.6	2			101.6	3.0	104	2	101.6	1.65	101.6	2
114.3	2	104	2	114.3	3.0						
139.7	2	129	2	139.8	3.4						
168.3	2.6			165.2	3.4						
219.1	2.6	154	2	216.5	3.4						

ISO 2037、SMS: 国际标准 international standard

DIN 11850: 德国标准 German standard

JIS G 3459: 日本标准 Japanese standard

3A: 美国标准 3-A Standard

IDF: 国际乳联标准 IDF standard

不锈钢化学成分与力学性能

Chemical composition and mechanics property

Unit:mm

	钢种 Metal	化学成分 Chemical Composition								力学性能 Mechanics Property			
		C ≤	Si ≤	Mn ≤	P ≤	S ≤	Cr	Mo	N	$\sigma_{s0.2}$ (Mpa) ≥	σ_b (Mpa) ≥	$\delta 5\%$	HB ≤
(GB)	CCr18Ni9	0.07	1	2	0.035	0.03	17-19	/	8-11	205	520	40	40
	0CCr19Ni10	0.03	1	2	0.035	0.03	18-20	/	8-12	177	480	40	40
	DCr17Ni12Mo2	0.08	1	2	0.035	0.03	16-18.5	2-3	10-14	205	520	40	40
	00Cr17Ni12Mo2	0.03	1	2	0.035	0.03	16-18	2-3	12-15	177	480	40	40
(ASTM)	304	0.08	1	2	0.045	0.03	18-20	/	8-11.5	205	515	35	35
	304L	0.035	1	2	0.045	0.03	18-20	/	8-12	170	485	35	35
	316	0.08	1	2	0.045	0.03	16-18	2-3	10-14	205	515	35	35
	316L	0.035	1	2	0.045	0.03	16-18	2-3	10-14	170	485	35	35
(JIS)	SUS304	0.08	1	2	0.045	0.03	18-20	/	8-11	206	520	35	35
	SUS304L	0.03	1	2	0.045	0.03	18-20	/	9-13	177	481	35	35
	SUS316	0.08	1	2	0.045	0.03	16-18	2-3	10-14	206	520	35	35
	SUS316L	0.03	1	2	0.045	0.03	16-18	2-3	12-15	177	481	35	35
(DIN)	1.43D1	0.07	1	2	0.045	0.015	17.5-19.5	/	8-10.5	205	520	40	40
	1.43D7	0.03	1	2	0.045	0.015	17.5-19.5	/	8-10.5	180	480	40	40
	1.43D1	0.07	1	2	0.045	0.015	16.5-18.5	2-2.5	10-13	205	520	40	40
	1.43D4	0.03	1	2	0.045	0.015	16.5-18.5	2-2.5	10-13	180	480	40	40